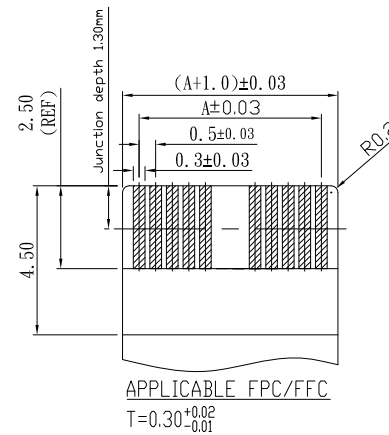
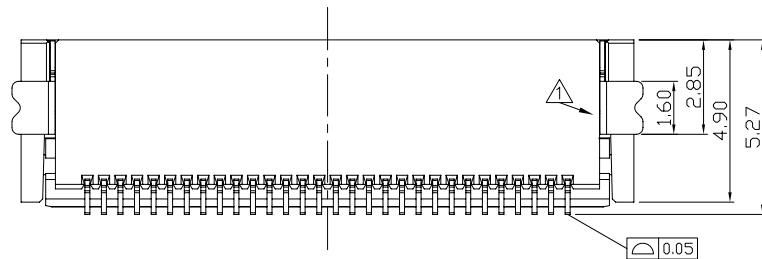
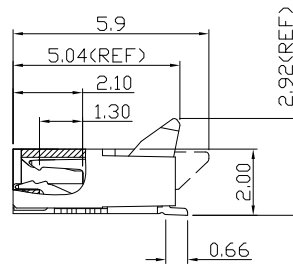
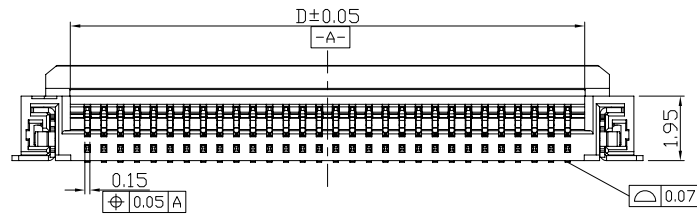


RECOMMENDED PCB LAYOUT

SPEC :

1. Housing: High-Temp Plastic, UL94-V
Color: Nature(Lvory)(LCP)
2. Locker: High-Temp Plastic, UL94-V
Color: Black(LCP)
3. Contact: Phosphor Bronze(C5191)
4. Solder Tab: BRASS(C2680)

NO	DIM POSITIONS	A	B	C	D
6		2.50	6.50	7.05	3.55
8		3.50	7.50	8.05	4.55
9		4.00	8.00	8.55	5.05
10		4.50	8.50	9.05	5.55
12		5.50	9.50	10.05	6.55
13		6.00	10.00	10.55	7.05
14		6.50	10.50	11.05	7.55
15		7.00	11.00	11.55	8.05
16		7.50	11.50	12.05	8.55
18		8.50	12.50	13.05	9.55
20		9.50	13.50	14.05	10.55
24		11.50	15.50	16.05	12.55
25		12.00	16.00	16.55	13.05
28		13.50	17.50	18.05	14.55
30		14.50	18.50	19.05	15.55
31		15.00	19.00	19.55	16.05
32		15.50	19.50	20.05	16.55
34		16.50	20.50	21.05	17.55
36		17.50	21.50	22.05	18.55
40		19.50	23.50	24.05	20.55
45		22.00	26.00	26.55	23.05
50		24.50	28.50	29.05	25.55
54		26.50	30.50	31.05	27.55
60		29.50	33.50	34.05	30.55
80		39.50	43.50	44.05	40.55



APPLICABLE FPC/FFC

RoHS Compliant

TOLERANCES ARE

MORETHANALL
PCB CONNECTORS
Cable ASSEMBLIES

DRAWING BY CY

X, ±

CHECKED BY GENIUS

.X ± 0.30

UNIT / mm

SCALE 1:1

.XX ± 0.20

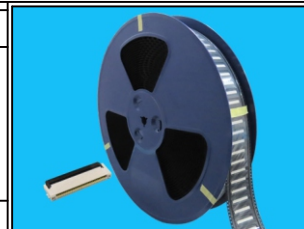
DATE

.XXX ± 0.10

ANG ±

SIZE A4

PJECTION



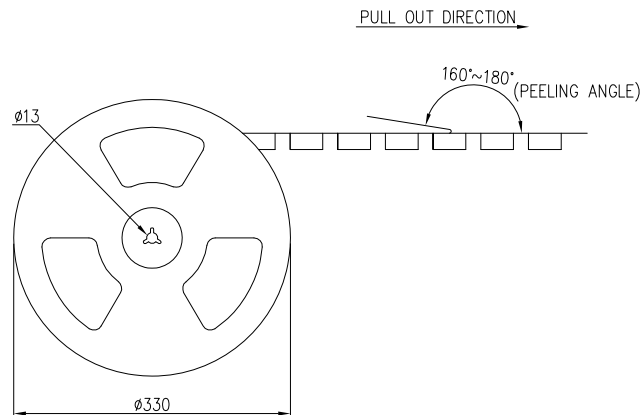
ORDER INFORMATION

FPV-WRD20GR-xx-LF
SERIES | | | | LEADFREE
06-80WAY
REEL
90°SMT GOLD
ROTARY ZIF HIGH 2.0mm
DUAL CONTACTS

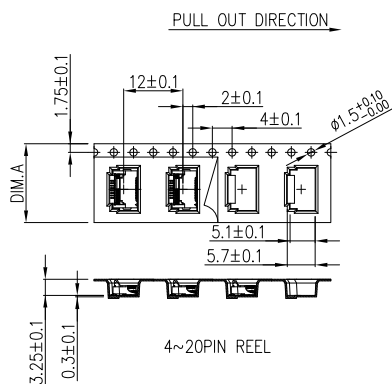
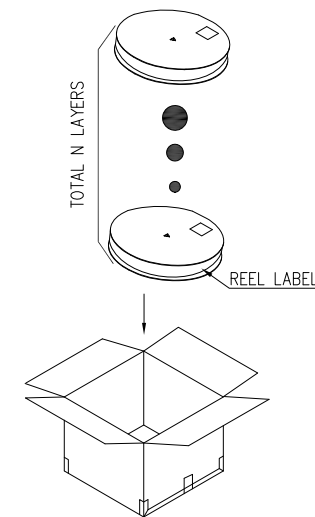
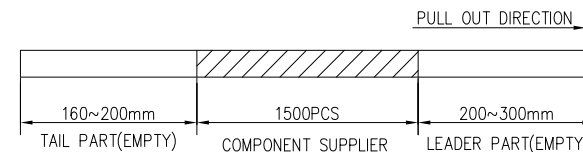
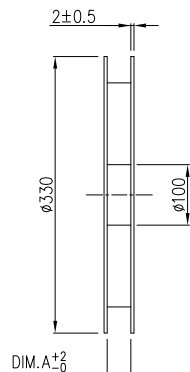
煜倫股份有限公司

www.morethanall.com

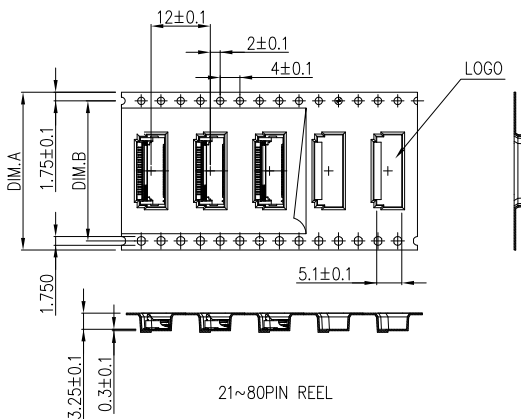
DESCRIPTION: 0.5PH 2.0H 掀蓋臥貼背插



旋轉式圓盤



4~20PIN REEL



21~80PIN REEL

NOTES:

1. MATERIAL:
 - 1.1 CARRY TAPE: HIPS, $T=0.30\pm 0.05$ mm, CLEAR
 - 1.2 REEL: HIPS
 - 1.3 SHIM: PE, CLEAR
2. PRIMARY PACKING: 1.500PCS/REEL
3. SECONDARY PACKING: SEE PACKING LIST
4. PEELING RESISTANCE: 0.1~1.3N; PEELING ANGLE: $165^{\circ}\sim 180^{\circ}$; PEELING SPEED: 300mm/minutes

PIN NO.	DIM A	DIM B	PCS/Reel	REEL/CARTON	SUM(PCS)
04~08	16.0	-	1500	15	22500
09~20	24.0	-	1500	11	16500
21~34	32.0	28.4	1500	08	12000
35~54	44.0	40.4	1500	06	9000
55~60	56.0	52.4	1500	05	7500
68~80	77.0	72.4	1500	04	6000

RoHS Compliant

TOLERANCES ARE

MORETHANALL
PCB CONNECTORS
Cable ASSEMBLIES

煜倫股份有限公司

www.morethanall.com

DRAWING BY CY

CHECKED BY GENIUS

UNIT / mm

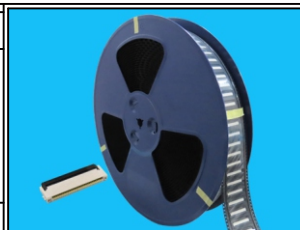
SCALE 1 : 1

DATE

SIZE A4

X, ±
.X ± 0.30
.XX ± 0.20
.XXX ± 0.10
ANG ±

PJECTION



ORDER INFORMATION

FPV-WRD20GR-xx-LF
SERIES | | | | LEADFREE
| | | | 06~80WAY
| | | | REEL
90°SMT | | | | GOLD
ROTARY ZIF | | | | HIGH 2.0mm
DUAL CONTACTS

DESCRIPTION: 0.5PH 2.0H 掀蓋臥貼背插包裝圖