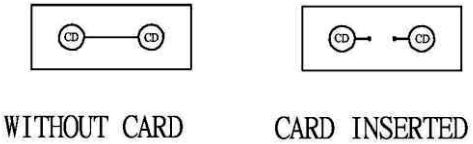
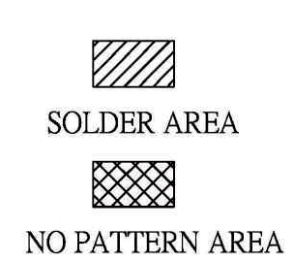


PCB LAYOUT

CIRCUIT



Pin #	Name
C1	VCC
C2	MCLR
C3	RB6/Osc1
C5	VSS
C6	VPP
C7	RB7



NOTE:

- SOLDER TAIL TO BE WITHIN 0.05 UPWARD AND 0.2 DOWNWARD FROM Z-DATUM PLACE, AND COPLANALITY OF SOLDER TAILS TO BE WITHIN 0.10 MEASUREMENT POINT IS SOLDER TAILS TIP.
- INSPECTION SYMBOL:  
● : MANUFACTURER INSPECTION  
◆ : Q.C INSPECTION

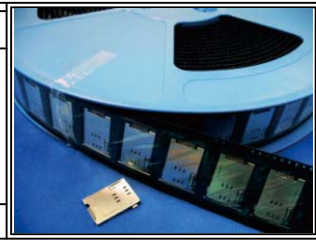
**RoHS Compliant**

**MORETHANALL**  
PCB CONNECTORS  
Cable ASSEMBLIES

煜倫股份有限公司

www.morethanall.com

DRAWING BY CY		TOLERANCES ARE X. ± .X ± .XX ± .XXX ± ANG ±
CHECKED BY GENIUS		
UNIT/mm	SCALE 1:1	
DATE		
SIZE A4	PJECTION	

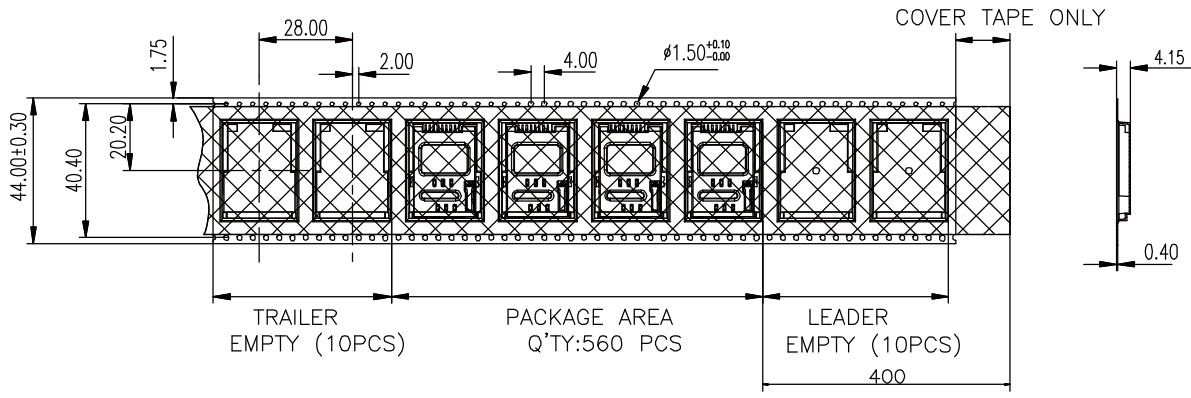


**ORDER INFORMATION**

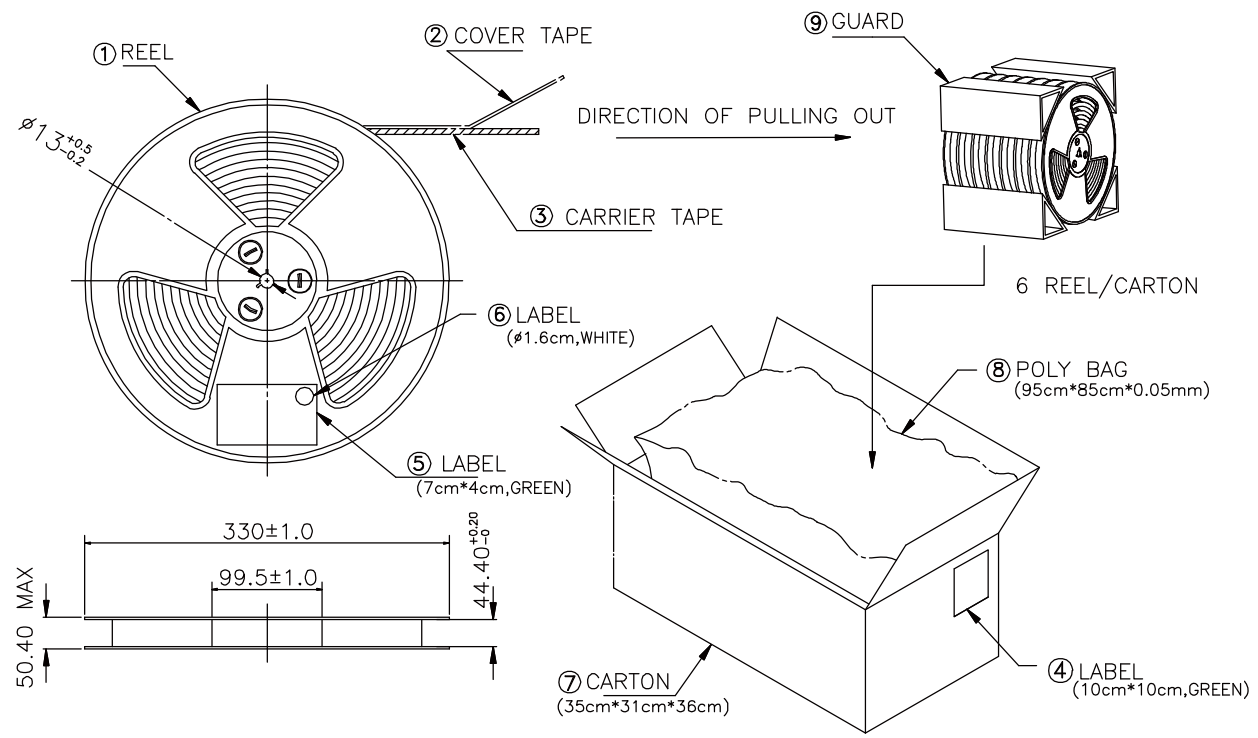
SCP-W14PAA25R-06-LF

SERIES | | | | | LEADFREE  
| | | | | 06WAY  
| | | | | REEL  
90°SMT | | | | | EAR TO POST 2.5mm  
POST TO POST 14.0mm | | | | | SWITCH CLOSED  
| | | | | POST

DESCRIPTION:



	MATERIAL	P/N	REMARKS
1	REEL	REEL-RA144	H=50.4 Max
2	COVER	REEL-UC375	W=37.50mm
3	CARRIER TAPE	REEL-086LAB4402	W=44.00mm
4	LABEL(for RoHS)	CTP-0002	1 LABEL/CARTON
5	LABEL(for RoHS)	CTB-0004	1 LABEL/REEL
6	LABEL(for RoHS)	CTB-0005	1 LABEL/REEL
7	CARTON	CTN-C100H	CARTON/6REEL/3360PCS
8	POLY BAG	P-0001	1 BAG/CARTON
9	GUARD	CTN-N3025	4 GUARDS/CARTON



RoHS Compliant

**MORETHANALL**  
PCB CONNECTORS  
Cable ASSEMBLIES

煜倫股份有限公司

www.morethanall.com

DRAWING BY CY

CHECKED BY GENIUS

UNIT/mm SCALE 1:1

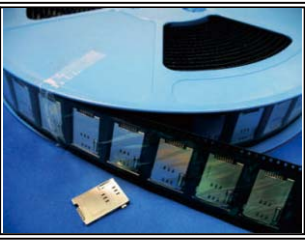
DATE

SIZE A4

TOLERANCES ARE

X. ±  
.X ±  
.XX ±  
.XXX ±  
ANG ±

PJECTION



ORDER INFORMATION

SCP-W14PAA25R-06-LF

SERIES | | | | | LEADFREE  
| | | | | 06WAY  
| | | | | REEL  
90°SMT | | | | | EAR TO POST 2.5mm  
POST TO POST 14.0mm | | | | | SWITCH CLOSED  
| | | | | POST

DESCRIPTION: Sim Card Conn. Push Push Type Packing Info.