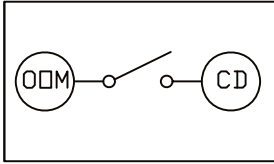
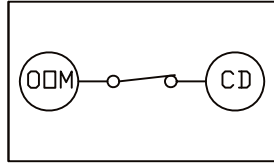


WITHOUT CARD

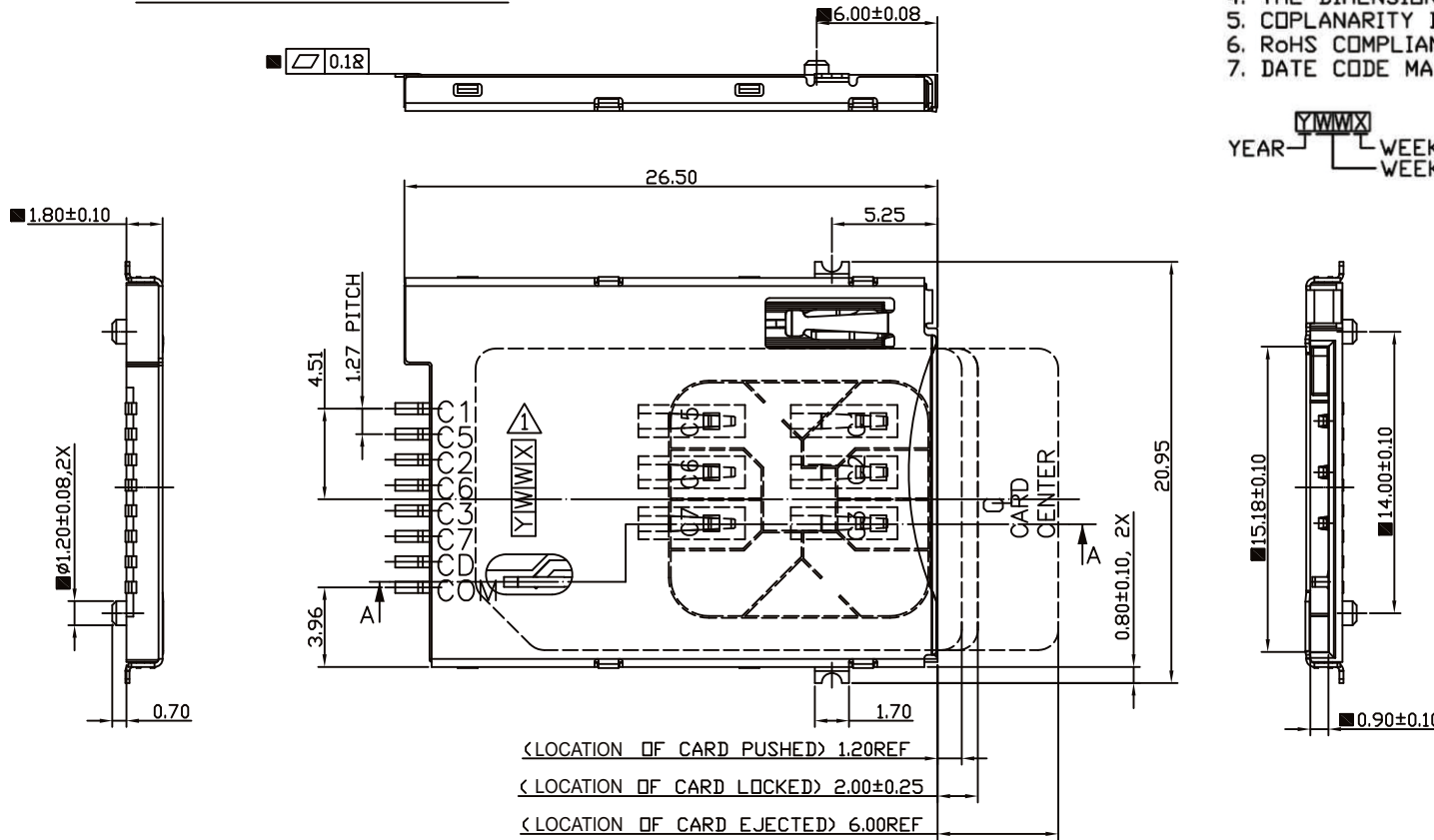


CARD INSERTED



CARD DETECT SW. STATUS.

- NOTES:
- MATERIAL:
HOUSING: LCP+30% G.F., UL 94V-0 RATED, COLOR BLACK.
CONTACTS: COPPER ALLOY.
SHIELD COVER: SUS304, 0.2T.
 - PLATING:
CONTACT AREA: HARD GOLD PLATING OVER 1.27 μm (50 μm^2) MIN, NICKEL UNDERPLATING.
SOLDERING ZONE: 3.05 μm (120 μm^2) MIN. 100% TIN, OR LEAD-FREE PLATING PER PART NUMBER DESIGNATION, OVER NICKEL UNDERPLATING.
SHIELD COVER: GOLD FLASH NICKEL UNDERPLATING.
UNDERPLATING: 1.27 μm (50 μm^2) MIN. NICKEL ALLOVER.
 - CUTTING BURR ALLOWED: 0.03mm MAX.
 - THE DIMENSIONS MARKED WITH "■" ARE CRITICAL DIMENSIONS.
 - COPLANARITY IS 0.10mm MAX.
 - RoHS COMPLIANT PRODUCTS.
 - DATE CODE MARKING:



PARTS LIST

ITEM	DESCRIPTION	QTY(PC'S)
1	HOUSING	1
2	SLIDER	1
3	MAIN CONTACT	1
4	ODM CONTACT	1
5	CD CONTACT	1
6	METAL COVER	1
7	CRANK	1
8	SPRING	1

RoHS Compliant

MORETHANALL
PCB CONNECTORS
Cable ASSEMBLIES

煜倫股份有限公司

www.morethanall.com

DRAWING BY CY

CHECKED BY GENIUS

UNIT/mm SCALE 1:1

DATE

SIZE A4

TOLERANCES ARE

X.±
.X±
.XX±
.XXX±
ANG±

PJECTION

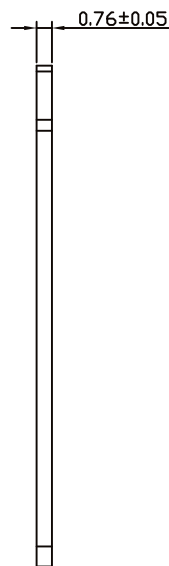
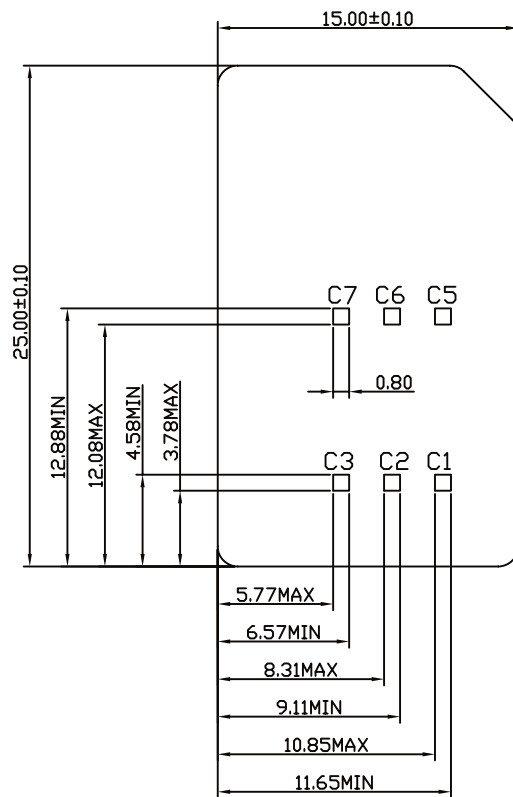


ORDER INFORMATION

SCP-W14PBA08R-06-LF

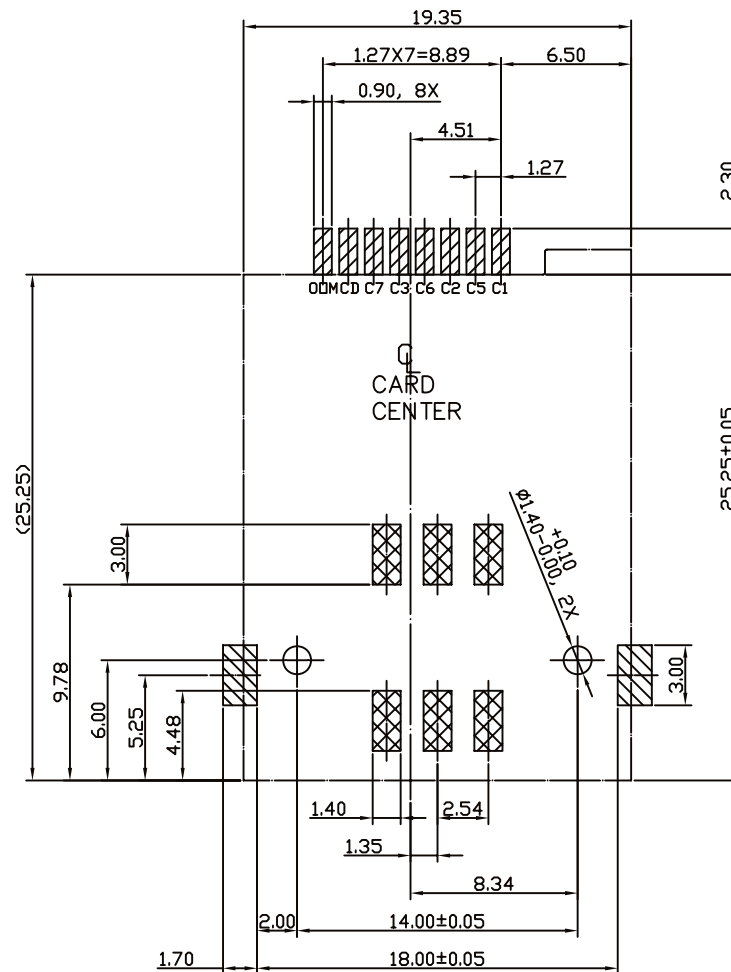
SERIES | | | | | LEADFREE
| | | | | 06WAY
| | | | | REEL
| | | | | EAR/POST 0.75mm
90°SMT | | | | | SWITCH OPEN
POST TO POST 14.0mm | | | | | POST

DESCRIPTION: SIM Card Socket 6+2 Pin Push-Push Type



APPLICABLE CARD SIZE

- C1 Supply voltage(VCC)
- C2 Reset(RST)
- C3 Clock(CLK)
- C4 Not used
- C5 Ground(GND)
- C6 RFU²
- C7 Input/output(I/O)
- C8 Not used



RECOMMENDED PCB LAYOUT

— TRACR PROHIBITION AREA

MORETHANALL
PCB CONNECTORS
Cable ASSEMBLIES

煜倫股份有限公司

www.morethanall.com

RoHS Compliant

DRAWING BY CY

CHECKED BY GENIUS

UNIT/mm SCALE 1:1

DATE

SIZE A4

TOLERANCES ARE

X. ± 0.30

.X ± 0.30

.XX ± 0.20

.XXX ± 0.20

ANG ± 1°

PJECTION



ORDER INFORMATION

SCP-W14PBA08R-06-LF

SERIES | | | | | LEADFREE

| | | | | 06WAY

| | | | | REEL

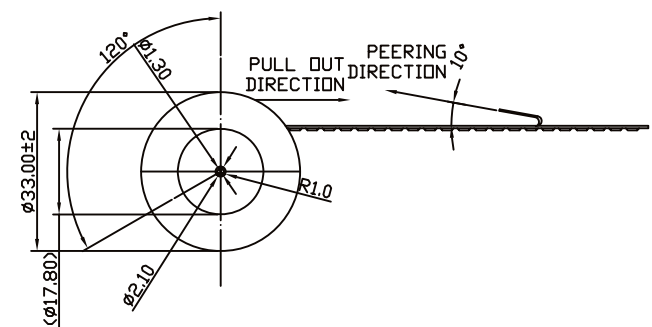
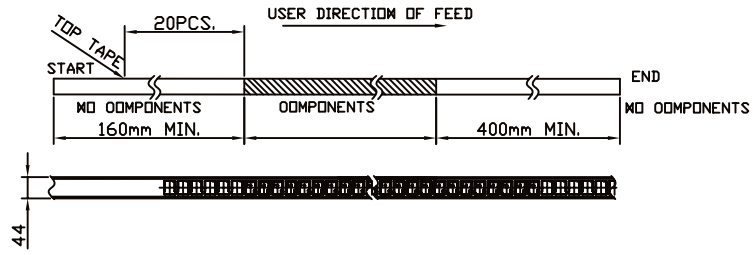
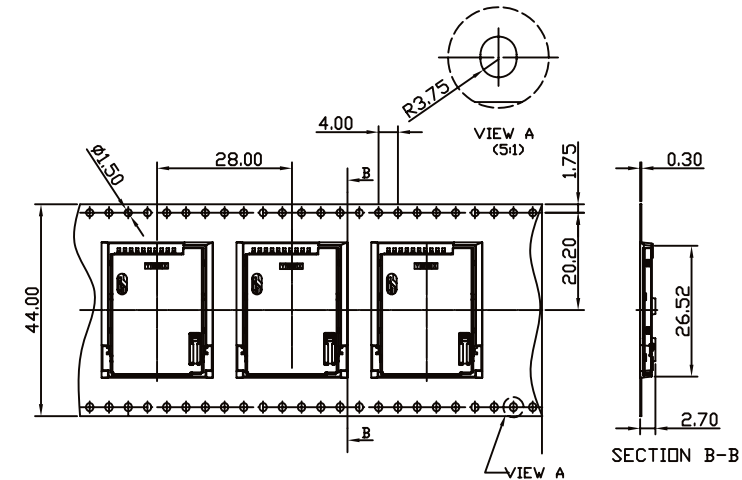
| | | | | EAR/POST 0.75mm

| | | | | SWITCH OPEN

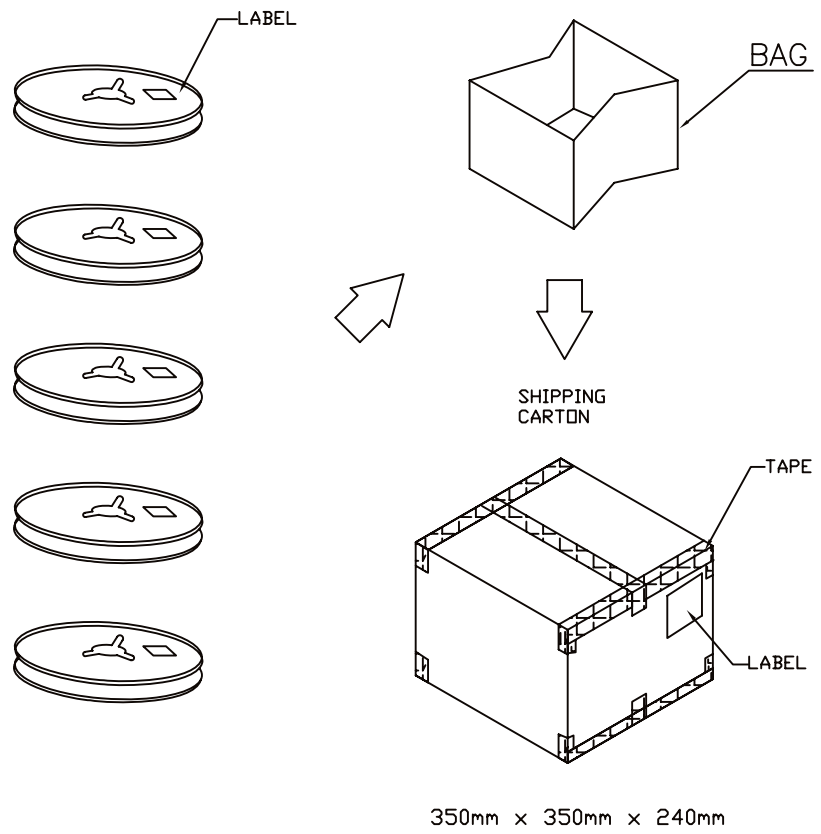
| | | | | POST

90°SMT
POST TO POST 14.0mm

DESCRIPTION:



NOTE:
 1. STANDARD PACKING: 500 PCS/REEL
 2. 5 REEL/SHIPPING CARTON



RoHS Compliant

TOLERANCES ARE

MORETHANALL
 PCB CONNECTORS
 Cable ASSEMBLIES

煜倫股份有限公司

www.morethanall.com

DRAWING BY CY

CHECKED BY GENIUS

UNIT/mm SCALE 1:1

DATE

SIZE A4

X. ± 0.30
 .X ± 0.30
 .XX ± 0.20
 .XXX ± 0.20
 ANG ± 1°

PJECTION



ORDER INFORMATION

SCP-W14PBA08R-06-LF

SERIES | | | | | LEADFREE
 | | | | | 06WAY
 | | | | | REEL
 | | | | | EAR/POST 0.75mm
 90°SMT | | | | | SWITCH OPEN
 POST TO POST 14.0mm | | | | | POST

DESCRIPTION: