

SPECIFICATIONS

Current Rating: 1A AC,DC

Voltage Rating: 100V AC,DC

Temperature Range: -25°C ~ +85°C

Contact Resistance: 20mΩ Max.

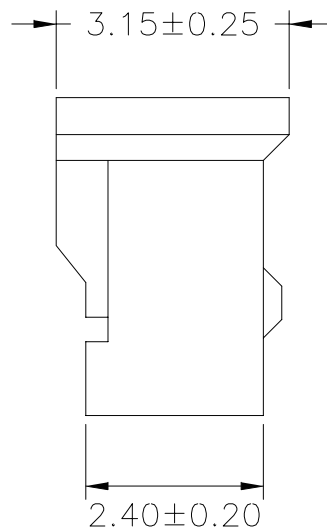
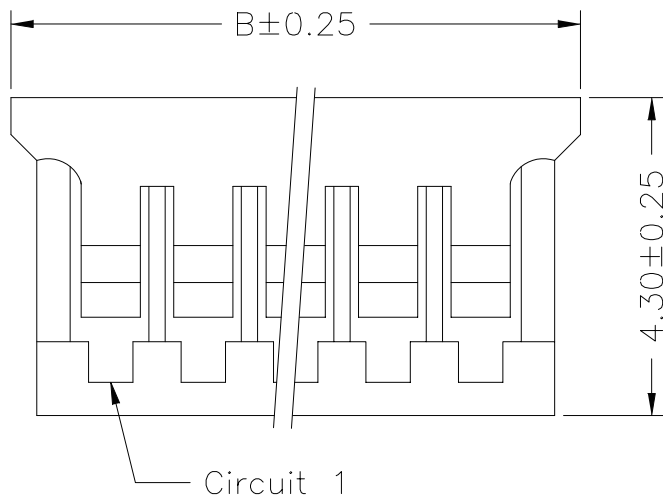
Insulation Resistance: 500MΩ Min.

Withstanding Voltage: 500V AC/minute

Material: Nylon 66,UL94V-0

Ordering Information & Dimensions

| PART NO. | Dimensions | |
|----------|------------|-------|
| | A | B |
| ILZ-H-02 | 1.25 | 3.95 |
| ILZ-H-03 | 2.50 | 5.20 |
| ILZ-H-04 | 3.75 | 6.45 |
| ILZ-H-05 | 5.00 | 7.70 |
| ILZ-H-06 | 6.25 | 8.95 |
| ILZ-H-07 | 7.50 | 10.20 |
| ILZ-H-08 | 8.75 | 11.45 |
| ILZ-H-09 | 10.00 | 12.70 |
| ILZ-H-10 | 11.25 | 13.95 |
| ILZ-H-11 | 12.50 | 15.20 |
| ILZ-H-12 | 13.75 | 16.45 |
| ILZ-H-13 | 15.00 | 17.70 |
| ILZ-H-14 | 16.25 | 18.95 |
| ILZ-H-15 | 17.50 | 20.20 |



MORETHANALL
PCB CONNECTORS
Cable ASSEMBLIES

煜倫股份有限公司

www.morethanall.com

RoHS Compliant

DRAWING BY CY

CHECKED BY GENIUS

UNIT / mm

SCALE 1:1

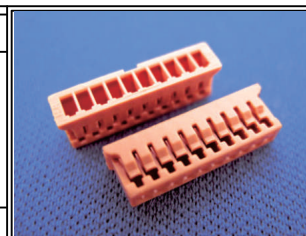
DATE

SIZE A4

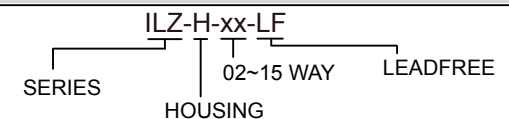
PJECTION

TOLERANCES ARE

X, ±
.X ±
.XX ±
.XXX ±
ANG ±



ORDER INFORMATION



DESCRIPTION: 1.25mm PITCH HOUSING