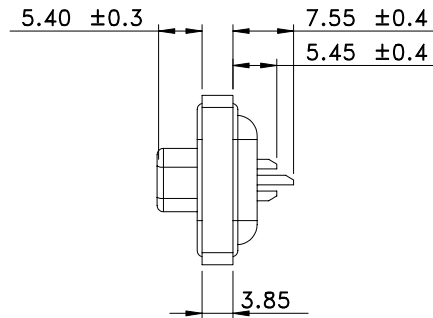
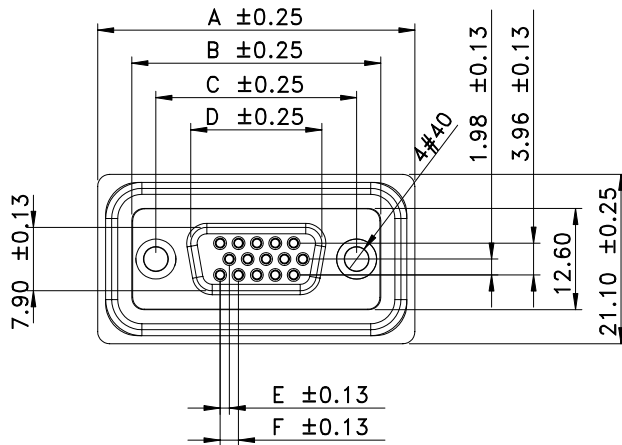


Recommended Panel Cut-Out
TOLERANCE: $\pm 0.05\text{mm}$



SPECIFICATION

MATERIAL

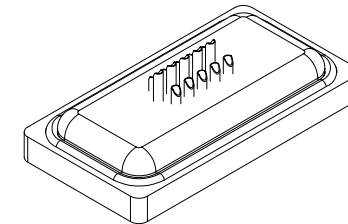
Insulator: Thermoplastic
Contacts: Copper Alloy
Shell: Steel
O-ring: Silicone
Sealant: Epoxy-Resin
Rivet: Copper Alloy

CONTACT PLATING

Underplate :50u"~150u" Nickel
Contact Area :1u"~30u" Selective Gold
Rivet :50u"~100u" Nickel

ELECTRICAL

Operation Voltage :250 VAC Max
Current Rating :3 Amps Max
Contact Resistance :15 Mohms Min 500 VDA
Dielectric Withstanding Voltage 1000 VAC/Minute
Temperature Range :-55°C TO +105°C



PIN	A	B	C	D	E	F	X	Y
15	39.50	31.00	25.00	16.34	1.145	2.29	25.20	20
26	48.00	39.30	33.32	24.66	1.145	2.29	33.50	28.30
44	61.50	53.20	47.04	38.38	1.145	2.29	47.20	42.00
62	77.80	69.50	63.50	54.84	1.205	2.41	63.70	58.50

RoHS Compliant

TOLERANCES ARE

MORETHANALL
PCB CONNECTORS
Cable ASSEMBLIES

DRAWING BY CY

CHECKED BY GENIUS

UNIT / mm

SCALE 1 : 1

DATE

SIZE A4

PPOJECTION

X, ±
.X ±
.XX ±
.XXX ±
ANG ±



ORDER INFORMATION

WPHD-SSN-xx-LF

SERIES LEADFREE
15~62WAY
NUT
SOLDER
FEMALE

煜倫股份有限公司

www.morethanall.com

DESCRIPTION: WATER-PROOF HIGH DENSITY D-SUB(SOLDER FEMALE)