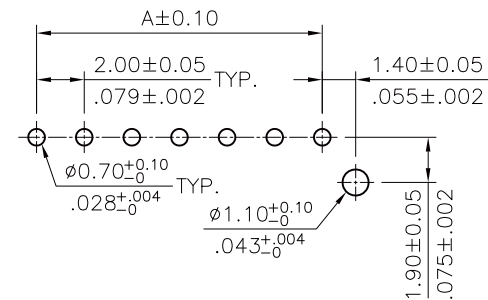
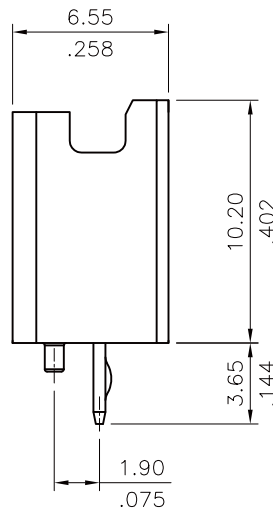
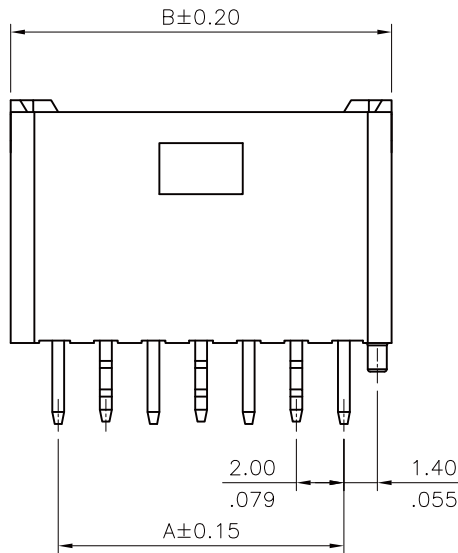


Material
 Insulator: Halogen Free Plastic
 UL 94V-0
 Contact: Copper alloy

DIM. A = 2.0 x NO. OF SPACES
 DIM. B = DIM. A + 4.0
 DIM. C = DIM. A + 2.6
 * AVAILABLE IN 2 THROUGH 10



Recommended P.C. Board Layout

RoHS Compliant

TOLERANCES ARE

MORETHANALL
 PCB CONNECTORS
 Cable ASSEMBLIES

DRAWING BY CY

CHECKED BY GENIUS

UNIT / mm

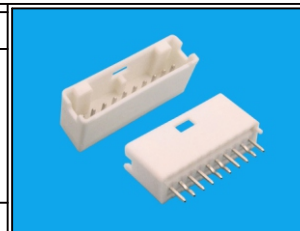
SCALE 1:1

DATE

SIZE A4

PJECTION

X. ±
 .X ± 0.30
 .XX ± 0.20
 .XXX ± 0.10
 ANG ±



ORDER INFORMATION

PNI-DP-xx-HF
 SERIES | | HALOGEN FREE
 | | 02-10WAY
 POST
 DIP 180°

煜倫股份有限公司

www.morethanall.com

DESCRIPTION: