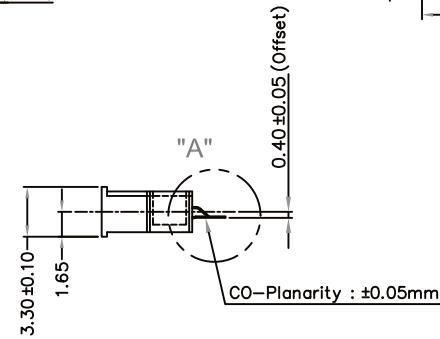
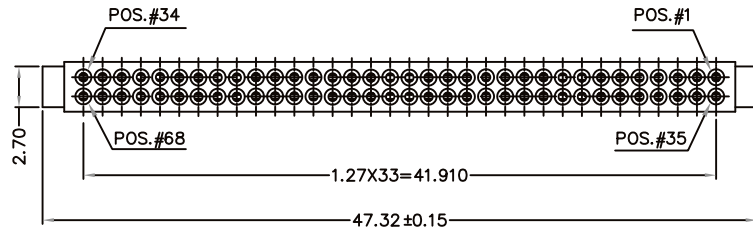


Recommend PCB Layout



Note

1.Material:

Contact—Copper Alloy
 Grounding Plate—Copper Alloy
 Housing— High Temp Thermoplastic
 LCP (UL 94V-0)

2.Plating:

Underplate : 30u"(0.76um)Nickel
 Solder Tails : 100u"(2.54um)Tin

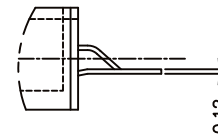
3.Electrical:

Current Rating : 0.5A
 Insulation Resistance : $>1 \times 10^9$ ohm at 500 Vdc
 $>1 \times 10^8$ ohm at 500 Vdc
 after Environmental Conditioning

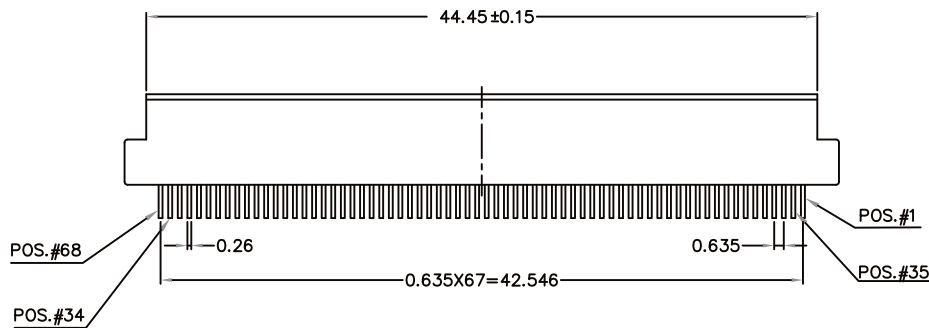
Withstanding Voltage : 500 Vrms at Sea Level

4.Environmental:

Temperature Rating : -10°C to +70°C



DETAIL "A"
S=5:1



RoHS Compliant

TOLERANCES ARE

MORETHANALL
 PCB CONNECTORS
 Cable ASSEMBLIES

煜倫股份有限公司

www.morethanall.com

DRAWING BY CY

CHECKED BY GENIUS

UNIT/ mm

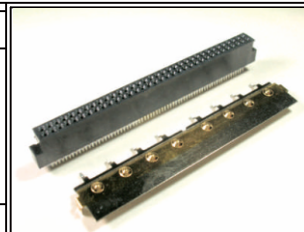
SCALE 1 : 1

DATE

SIZE A4

P PROJECTION

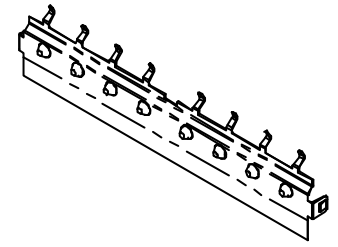
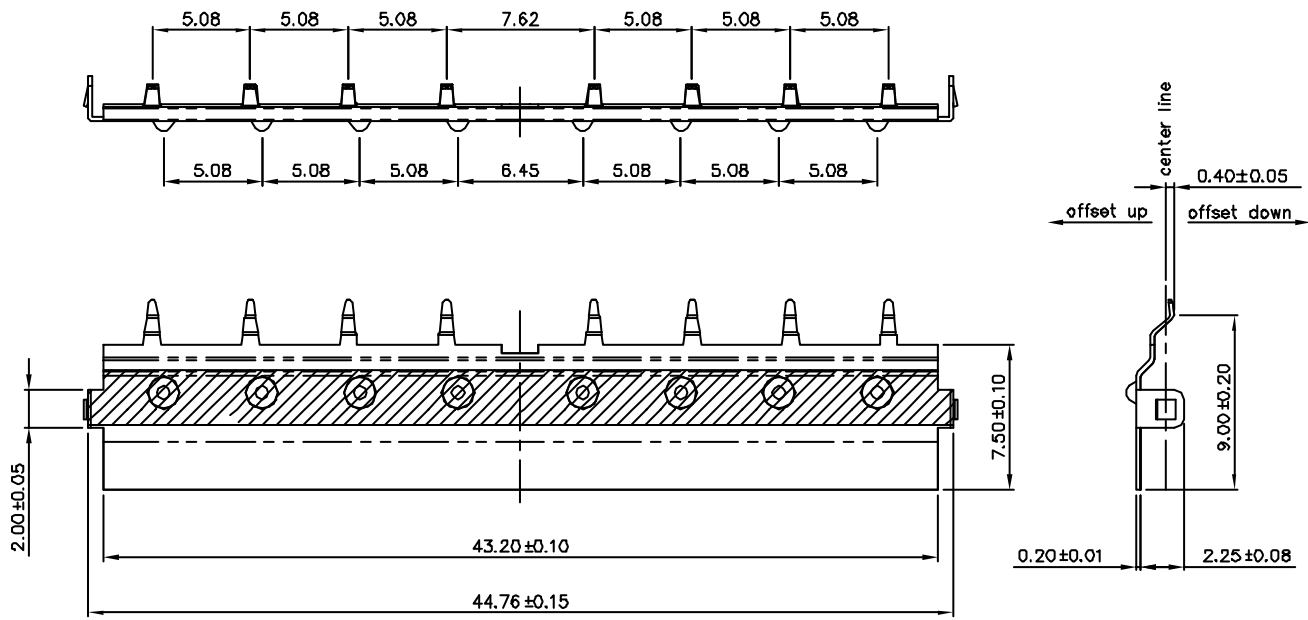
X, ±
 .X ±
 .XX ±
 .XXX ±
 ANG ±



ORDER INFORMATION

PCC-SWA04M-68-LF
 SERIES | | | | LEADFREE
 | | | | 68WAY
 | | | | METAL
 | | | | OFFSET 0.4mm
 FEMALE | A TYPE
 | 90°SMT

DESCRIPTION: PC Card 68 pin connect



Note
 1. Material:
 Metal- Copper Alloy
 2. Plating:
 Underplate : 50u"(1.25um) Nickel
 Solder Tails : 100u"(2.54um) Tin without leac

RoHS Compliant

TOLERANCES ARE



煜倫股份有限公司

www.morethanall.com

DRAWING BY CY

CHECKED BY GENIUS

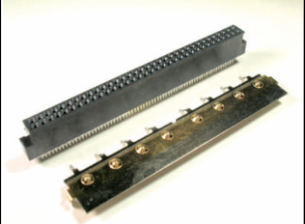
UNIT/ mm SCALE 1:1

DATE

SIZE A4

X, ±
 .X ±
 .XX ±
 .XXX ±
 ANG ±

P PROJECTION



ORDER INFORMATION

PCC-SWA04M-68-LF
 SERIES | | | | LEADFREE
 | | | | 68WAY
 | | | | METAL
 | | | | OFFSET 0.4mm
 FEMALE | A TYPE
 | 90°SMT

DESCRIPTION: Card Bus Clip