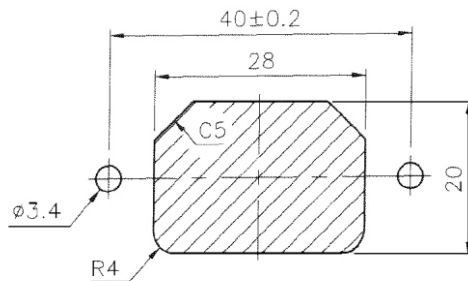
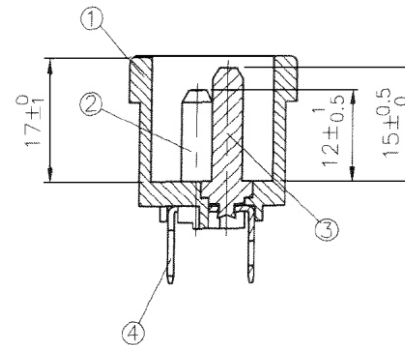
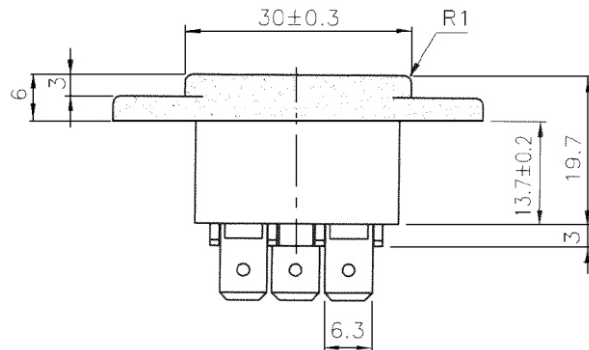


Rating: 15A 250V AC
 Approvals:UL/CSA
 Rating: 10A 250V AC
 Approvals:VDE/DEMKO/NEMKO
 SEV/SEMKO/FIMKO
 KEMA/CCC



4	Soldering PIN-TOP Brass Strip t=0.8mm Tin-Plated	3
3	Soldering PIN Brass Strip t=2mm Tin-Plated	1
2	Contact PIN Brass Strip t=2mm Tin-Plated	2
1	Body Insulator PBT Black Color	1

Mounting inlet flange in front of cover.

RoHS Compliant

TOLERANCES ARE

MORETHANALL
 PCB CONNECTORS
 Cable ASSEMBLIES

DRAWING BY CY

X.±

CHECKED BY GENIUS

.X±

UNIT / mm

SCALE 1 : 1

.XX±

DATE

.XXX±

ANG±

SIZE A4

PPOJECTION



ORDER INFORMATION

ACF-PQ6PE-03H-LF
 SERIES | | | LEADFREE
 | | | HORIZONTAL
 | | | 03 WAY
 | | | PANEL EAR
 | | | 6.3mm TAB
 MALE

煜倫股份有限公司

www.morethanall.com

DESCRIPTION: