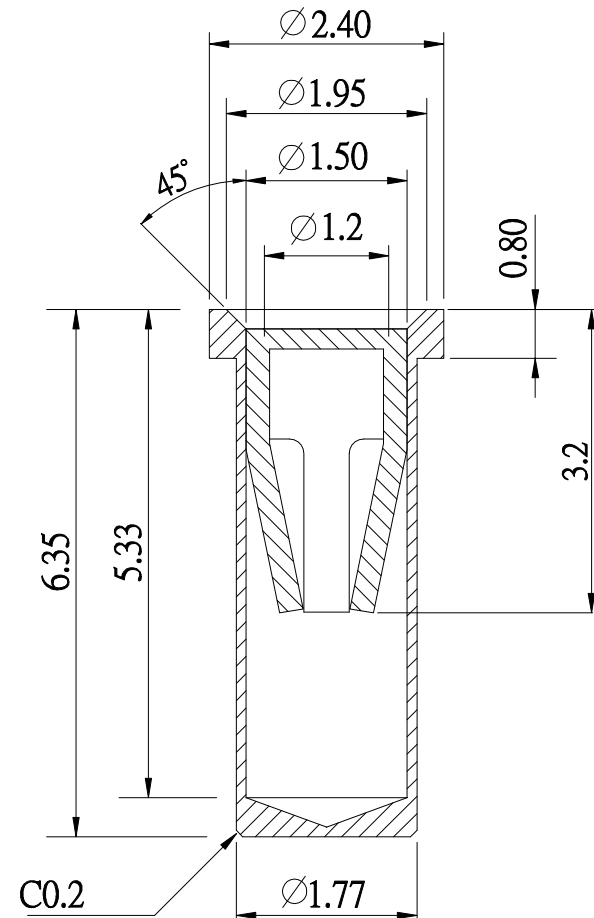


SPECIFICATIONS:

SHELL MATERIAL : BRASS ALLOY 360,
 SHELL FINISH:GOLD PLATED OR TIN PLATED
 CONTACT MATERIAL: BERYLLIUM COPPER ALLOY
 MATING PIN DIA: 0.64~0.92mm
 MOUNTING HOLE: MIN ϕ 1.80mm



RoHS Compliant

TOLERANCES ARE



煜倫股份有限公司

www.morethanall.com

DRAWING BY CY

CHECKED BY GENIUS

UNIT / mm

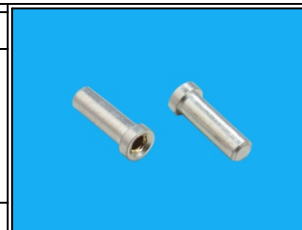
SCALE 1 : 1

DATE

SIZE A4

X. \pm
 .X \pm
 .XX \pm
 .XXX \pm
 ANG \pm

PPOJECTION



ORDER INFORMATION

SS-DXT-0.78-LF

SERIES | LEADFREE
 | DIA 0.78mm
 | WITHOUT TAIL
 | DIP 180°

DESCRIPTION: SOCKET PIN 2.4D*1.77d*6.35L