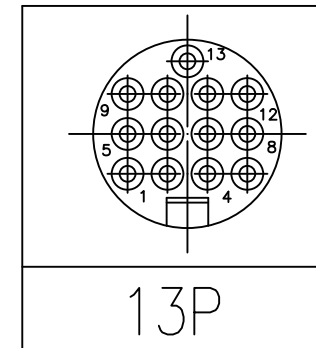
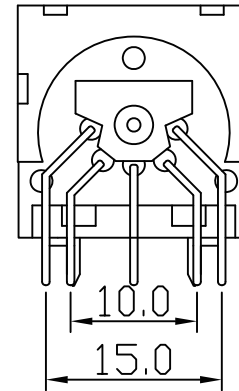
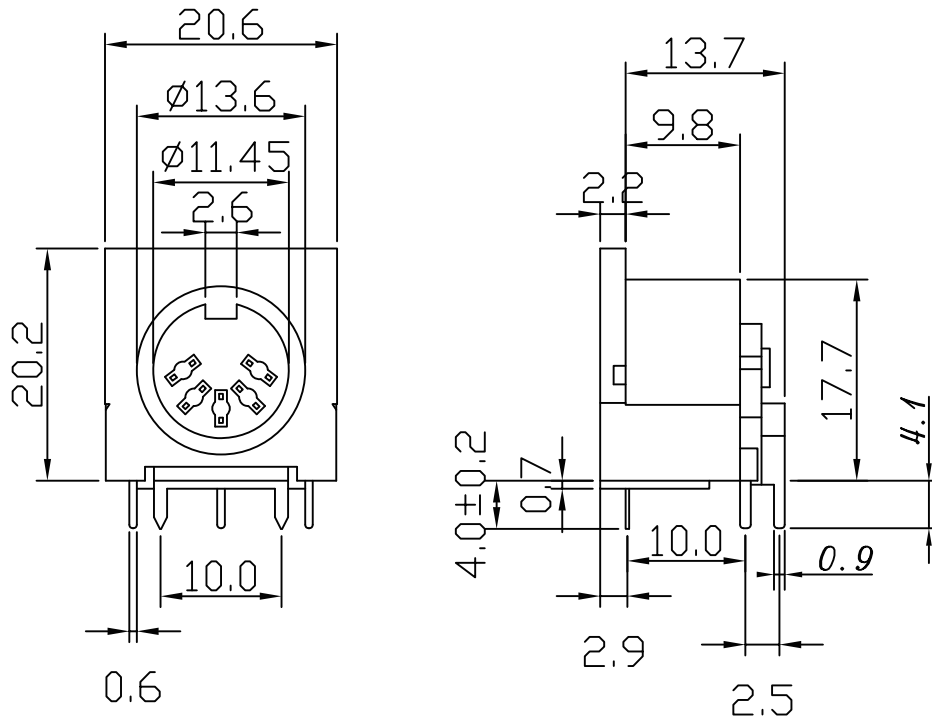

3P 180°	4P 210°	5P 180°	5P 240°	6P 240°	7P 270°	8P 270°
DJ-M-03	DJ-M-04	DJ-M-05	DJ-M-05B	DJ-M-06	DJ-M-07	DJ-M-08

SPECIFICATION:

Contact rating – 1 Ampere.
 Contact resistance – 20 mohm max.
 Operating temperature – -40C to +105C temperature.
 Dielectric withstanding voltage – 1000 VAC / 1 MIN.
 Insulation resistance – 5000 M min. 500 VDC.



FEATURES:

Contact material – Brass Tin plated.
 Insulator material – Thermoplastic Polyester 30% Glass
 – fiber (UL 94V-0 rated). Color – Black.

RoHS Compliant

MORETHANALL
 PCB CONNECTORS
 Cable ASSEMBLIES

煜倫股份有限公司

www.morethanall.com

DRAWING BY CY

CHECKED BY GENIUS

UNIT/mm SCALE 1:1

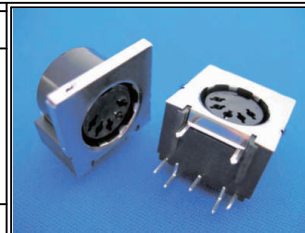
DATE

SIZE A4

TOLERANCES ARE

X, ±
 X, ±
 .XX ±
 .XXX ±
 ANG ±

P PROJECTION



ORDER INFORMATION

DJ-M-xx-LF
 SERIES | LEADFREE
 03-08WAY
 METAL

DESCRIPTION: