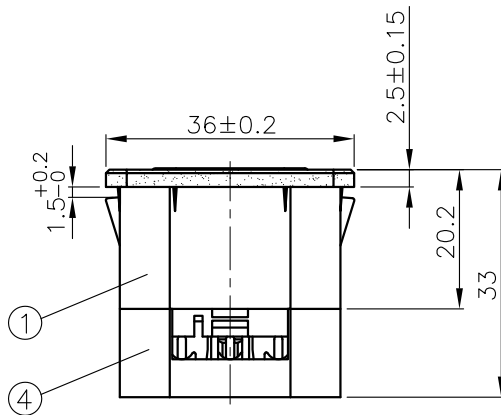
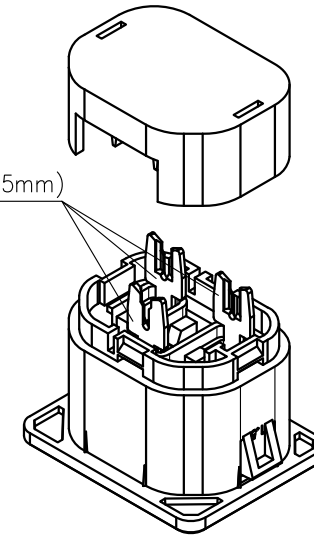


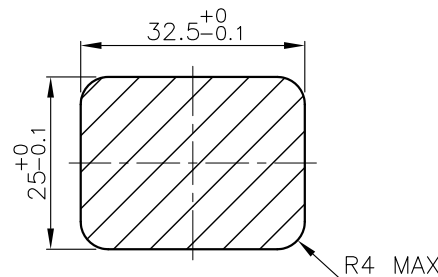
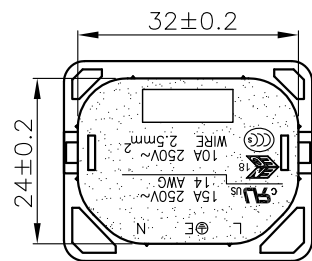
Use 14AWG or 2.5mm² solid copper wire only.
(Wire diameter 1.6~1.75mm)



NOTES:

Cross-sectional area(截面積)2.5mm²
wire=1.74mm diameter(直徑)

4	Cover back of the Body,PC Black Color.	1
3	Contact PIN Brass Strip t=0.8mm Tin-Plated	1
2	Contact PIN Brass Strip t=0.8mm Tin-Plated	2
1	Body Insulator PC Black Color	1



Rating:15A 250V AC
Approvals:cUL

Rating:10A 250V AC
Approvals:CCC/ENEC

RoHS Compliant

TOLERANCES ARE

MORETHANALL
PCB CONNECTORS
Cable ASSEMBLIES

DRAWING BY CY

X. ± 0.40

CHECKED BY GENIUS

.X ± 0.30

UNIT / mm

SCALE 1 : 1

.XX ± 0.10

DATE

.XXX ±

ANG ± 1°

SIZE A4

PPOJECTION



ORDER INFORMATION

ACF-SI14PA15-03-LF
SERIES | | | LEADFREE
| | | 03 WAY
| | | 1.5mm
| | | PANEL FRONT
| | | 14 AWG
| | | SOCKET IDC

煜倫股份有限公司

www.morethanall.com

DESCRIPTION: