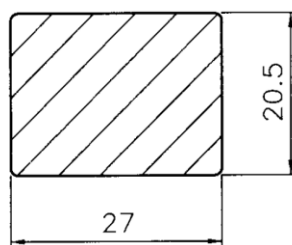
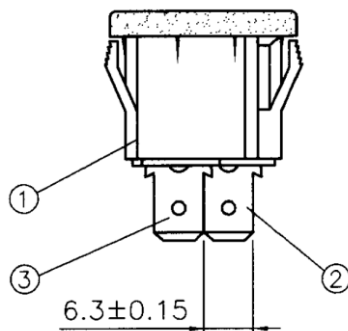
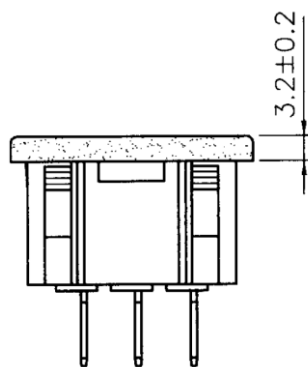


Rating:15A 250V AC
 Approvals:UL/CSA
 Rating:10A 250V AC
 Approvals:VDE/SEMKO/CCC



PANEL CUTOUT THICKNESS 0.8mm~1.5mm

3	Contact PIN Brass Strip t=2mm Ni-Plated	2
2	Contact PIN Brass Strip t=2mm Ni-Plated	1
1	Body Insulator Nylon PA66	1

RoHS Compliant

TOLERANCES ARE

MORETHANALL
 PCB CONNECTORS
 Cable ASSEMBLIES
 煜倫股份有限公司

DRAWING BY CY

CHECKED BY GENIUS

UNIT / mm

SCALE 1:1

DATE

SIZE A4

X, ± 0.40
 .X ± 0.30
 .XX ± 0.10
 .XXX ±
 ANG ± 1°

PPOJECTION



ORDER INFORMATION

ACF-PQ6PA-03-LF
 SERIES | | LEADFREE
 | | 03 WAY
 | | PANEL FRONT
 | | 6.3mmTAB
 MALE

DESCRIPTION:

www.morethanall.com