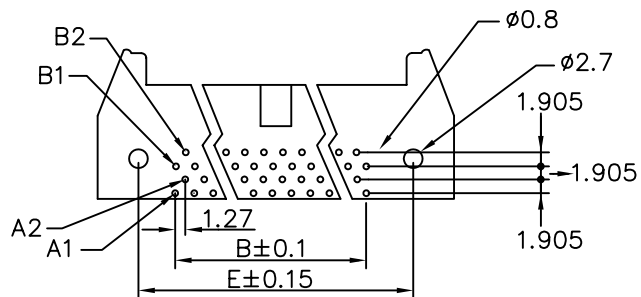
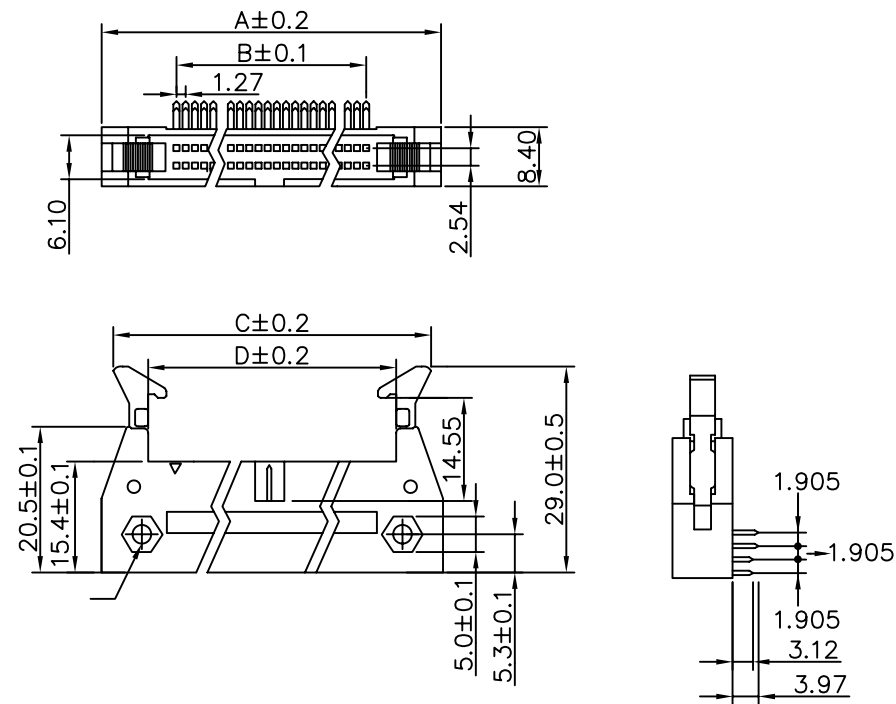


P.C. Board Layout Top View
(20.32.40.52.60.68.80.100)Position



P.C. Board Layout Top View
(26.34.50)Position



Position	Dimension				
	A	B	C	D	E
20	32.38	32.38	32.38	32.38	32.38
26	36.18	15.24	33.16	23.11	25.40
32	39.98	19.05	36.97	26.92	29.21
34	41.25	20.32	38.24	28.19	30.48
40	45.08	24.13	42.05	32.00	34.29
50	51.41	30.48	48.40	38.35	40.64
52	52.68	31.75	49.67	39.62	41.91
60	57.76	38.83	54.75	44.70	46.99
68	62.84	41.91	59.83	49.78	52.07
80	70.45	49.53	67.45	57.40	59.69
100	83.16	62.23	80.25	70.10	72.39

RoHS Compliant

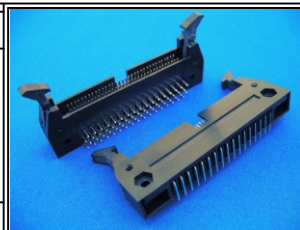
TOLERANCES ARE

MORETHANALL
PCB CONNECTORS
Cable ASSEMBLIES
煜倫股份有限公司

DRAWING BY CY
CHECKED BY GENIUS
UNIT / mm SCALE 1 : 1
DATE

X, ±
.X ±
.XX ±
.XXX ±
ANG ±

SIZE A4 PROJECTION



ORDER INFORMATION

HL-RB-xxx-LF
SERIES | LEADFREE
020~100 WAY
BRACKET
DIP 90°

DESCRIPTION:

www.morethanall.com