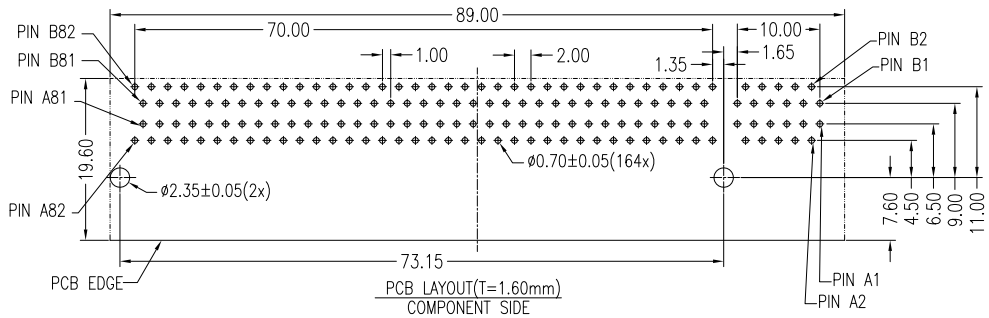


ADD-IN CARD EDGE-FINGER DIMENSIONS
DEFAULT TOLERANCE ±0.13



NOTES:

***Material**

Housing: LCP, UL 94V-0 Rated. Color: Black.
Contact: Brass.
Plating: Au Plating On Contact Area;
Sn(100u" Min.) Plating On Solder Tail;
Ni(50u" Min.) Underplating Overall

***Mechanical**

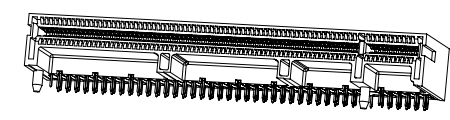
Insertion Force: 1.15N max per contact pair;
Withdrawal Force: 0.15N min per contact pair;
Contact Retention Force: 3.5N min per contact;
Durability: 50 cycles

***Electrical Specification**

Current Rating : 1.1 Ampere
Contact Resistance : 30mΩ Max.
Insulation Resistance : 1000MΩ Min, At 500V AC.

***Environmental**

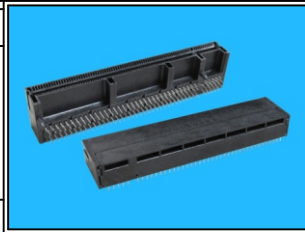
Operating Temperature : -55°C to +105°C



3D VIEW

RoHS Compliant

TOLERANCES ARE



ORDER INFORMATION

PCIX-R114-164-LF
SERIES | LEADFREE
164 WAY
HIGH 11.4mm
DIP 90°

MORETHANALL
PCB CONNECTORS
Cable ASSEMBLIES

煜倫股份有限公司

www.morethanall.com

DRAWING BY CY

CHECKED BY GENIUS

UNIT / mm

SCALE 1 : 1

DATE

SIZE A4

PJECTION

X, ±
.X ± 0.35
.XX ± 0.25
.XXX ± 0.15
ANG ± 3°

DESCRIPTION: PCI EXPRESS R/A DIP TYPE (GEN3) 164PIN (Right key)(Add Height)