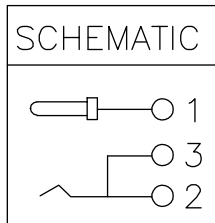


T:1.6 Dimensions of PC board holes
Tolerance : ±0.05(Printed-top view)



5	HOUSING	1	PA9T	UL-94V(BLACK)
4	TERMINAL	1	C2680 t=0.30	Ag PLATED
3	TERMINAL	1	C2680 t=0.30	Ag PLATED
2	TERMINAL	1	C5191 t=0.30	Ag PLATED
1	TERMINAL	1	C2680 t=0.30	Ag PLATED
LTR	PART NAME	QTY	MATERIAL	REMARK

UNLESS OTHERWISE SPECIFIED, TOLERANCE ON DECIMAL: ±0.2

RoHS Compliant

TOLERANCES ARE

MORETHANALL
PCB CONNECTORS
Cable ASSEMBLIES

DRAWING BY CY

X.±

CHECKED BY GENIUS

.X±

UNIT / mm SCALE 1 : 1

.XX±

DATE

.XXX±

ANG±

SIZE A4

PJECTION



ORDER INFORMATION

DCJ-W44R-165-LF
SERIES | | | LEADFREE
1.65Ø
REEL
POST 4.0+4.5mm
90°SMT

煜倫股份有限公司

www.morethanall.com

DESCRIPTION: DC POWER JACK

1 Space=1 pcs

1 Film packing box=1×700pcs
=700pcs

1 Big Carton=13×700pcs=9100pcs

1 Film packing box Dimension
=L×W×H
=9000×24×8.1

The thickness of the film=0.40mm

1 Embossed Carrier Reel Dimension
=D×H
=330×29.1

1 Cover tape Dimension
=L×W×H
=9000×21.3×0.06

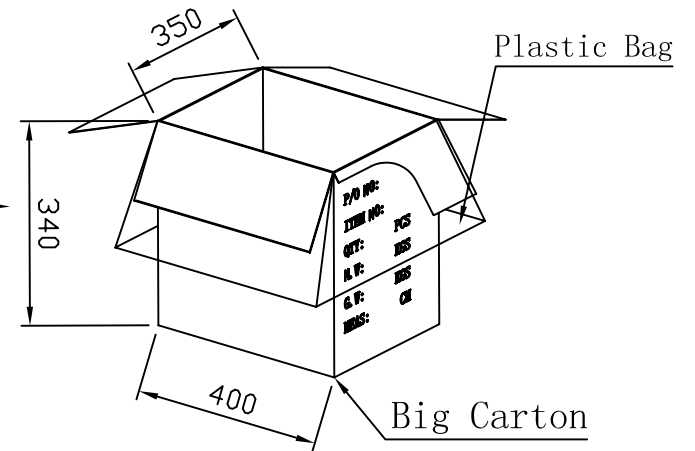
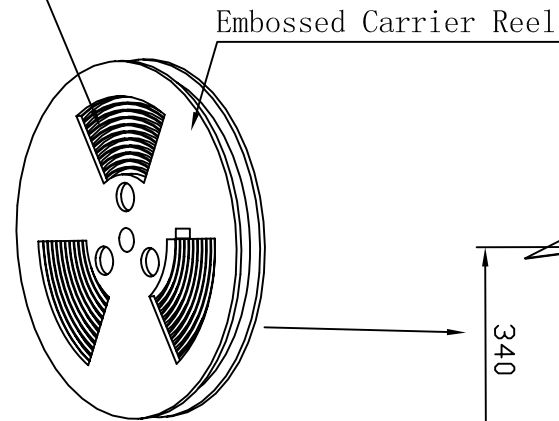
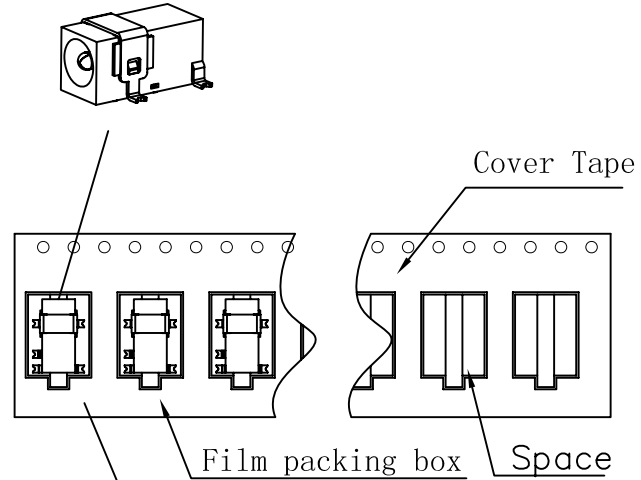
1 Plastic Bag Dimension
=L×W×D
=1000×1100×0.06

1 Big Carto Dimension
=L×W×H
=400×350×340

Unit:mm

Net weight:10.5Kg

Total weight: 16Kg



RoHS Compliant

TOLERANCES ARE

MORETHANALL
PCB CONNECTORS
Cable ASSEMBLIES

煜倫股份有限公司

www.morethanall.com

DRAWING BY CY

CHECKED BY GENIUS

UNIT / mm

SCALE 1:1

DATE

SIZE A4

PJECTION

X.±
.X±
.XX±
.XXX±
ANG±



ORDER INFORMATION

DCJ-W44R-165-LF
SERIES | | | LEADFREE
| | | 1.65Ø
| | | REEL
| | | POST 4.0+4.5mm
| | | 90°SMT

DESCRIPTION: DC POWER JACK