

ITEM	DESC.	MATERIAL	REMARKS
3	HOUSING	PBT	30%G.F.,UL94V-0 COLOR:SEE NOTE
2	SHELL	COPPER ALLOY(t=0.30)	UNDER-PLATING: Cu 100u" OVER-PLATING:SEE NOTE
1	TERMINAL	COPPER ALLOY(t=0.25)	CONTACT AREA SEE NOTE SOLDER AREA :Sn 150u" UNDER-PLATING :Ni 50u"

RoHS Compliant

TOLERANCES ARE

MORETHANALL
PCB CONNECTORS
Cable ASSEMBLIES

DRAWING BY CY

CHECKED BY GENIUS

UNIT/ mm

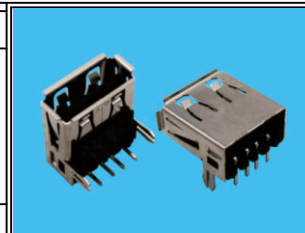
SCALE 1:1

DATE

SIZE A4

X. ±
.X ±
.XX ±
.XXX ±
ANG ±

PJECTION



ORDER INFORMATION

USB-SRRVZBK-4A-LF
SERIES | | | | LEADFREE
FEMALE | | | | 4 PIN A TYPE
CLIP REVERSED
BLACK
DIP 90°

煜倫股份有限公司

www.morethanall.com

DESCRIPTION:

NOTE:

1. QUANTITY/TRAY: 120PCS/TRAY

數量/盤: 120PCS/盤

QRANTYTY/CARTON: 120X25X2=6000PCS/CARTON

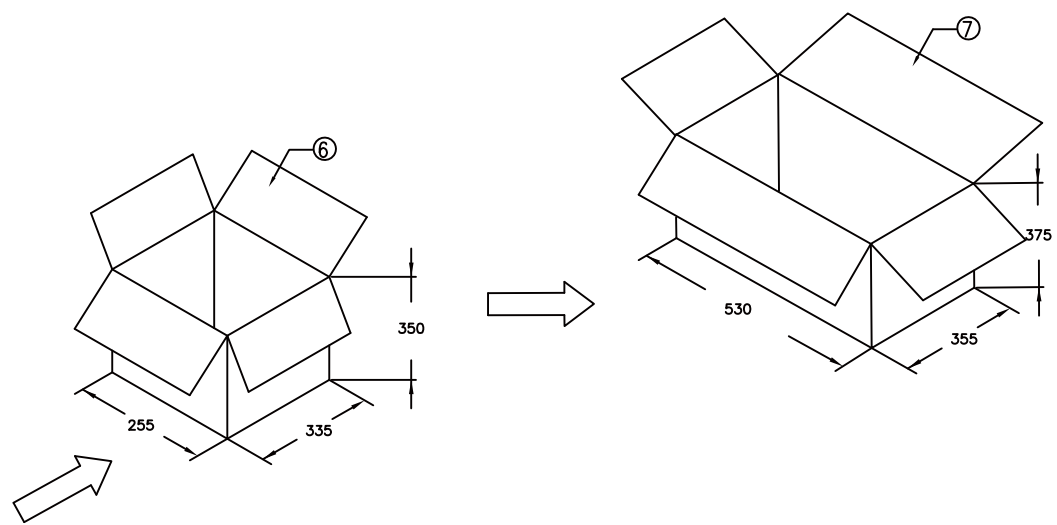
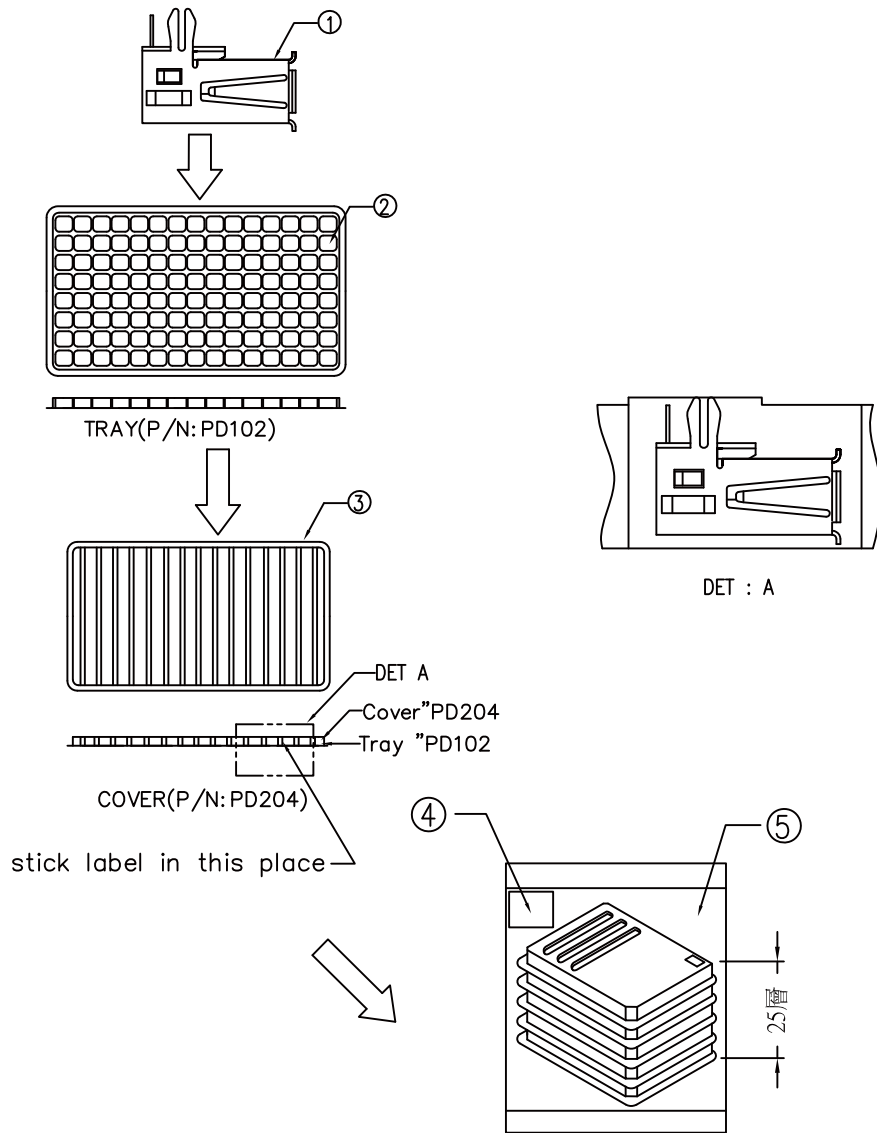
數量/箱: 120X25X2=6000PCS/箱

N.W: 10.92Kg

淨重: 10.92Kg

G.W: 17.72±0.30Kg

毛重: 17.72±0.30Kg



ITEM	DESC.	MATERIAL	REMARKS	PART REMARKS
7	OUTSIDE CARTON	K=A		PA204*1
6	INSIDE CARTON	B=C		PA304*2
5	PE BAG	PE		PC103*2
4	DESICCANT			PL101*2
3	COVER	PET		PD204*50
2	TRAY	PET		PD102*50
1	PRODUCT			

RoHS Compliant

TOLERANCES ARE

MORETHANALL
PCB CONNECTORS
Cable ASSEMBLIES

煜倫股份有限公司

www.morethanall.com

DRAWING BY CY

CHECKED BY GENIUS

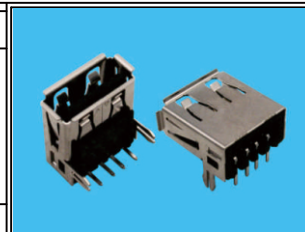
UNIT/mm SCALE 1:1

DATE

SIZE A4

X, ±
.X ±
.XX ±
.XXX ±
ANG ±

PJECTION



ORDER INFORMATION

USB-SRRVZBK-4A-LF
SERIES | | | | LEADFREE
4 PIN A TYPE
FEMALE | | | | CLIP REVERSED
DIP 90°

DESCRIPTION: