

PCB LAYOUT RECOMMENDED

Pin No.	Description
S1	Vcc(Voltage)
S2	RST
S3	CLK
S5	GND
S6	Vpp
S7	I/O

NOTES:

*Material

Housing: LCP UL 94V-0, Color:Black;
 Contact: Phosphor Bronze;
 Plating: Au plating on contact area;
 Sn (80u" Min.) plating on solder tail;
 Ni (50u" Min.) underplating overall.

*Mechanical

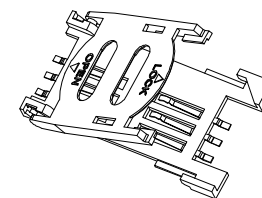
Durability: 3000 Cycles.

*Specification:

Current Rating: 0.5A. 12V AC.;
 Dielectric Withstanding Voltage: AC 500V For 1 Minute;
 Insulation Resistance: 500MΩ Min.;
 Contact Resistance: 100mΩ Max.;

*Environmental

Operating Temperature: -20°C to +60°C;



RoHS Compliant



煜倫股份有限公司

www.morethanall.com

DRAWING BY CY

CHECKED BY GENIUS

UNIT/mm

SCALE 1:1

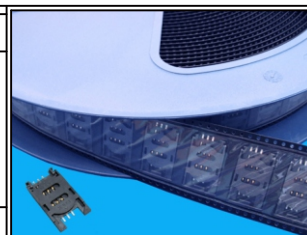
DATE

SIZE A4

TOLERANCES ARE

X. ±
 .X ± 0.20
 .XX ± 0.10
 .XXX ±
 ANG ±

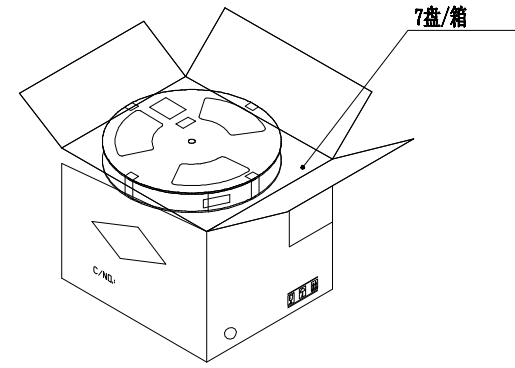
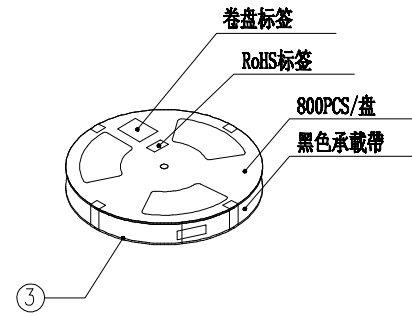
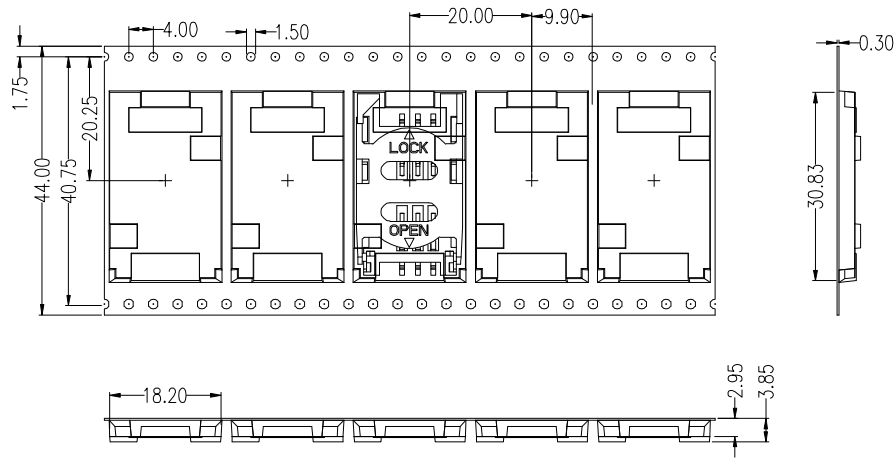
PJECTION



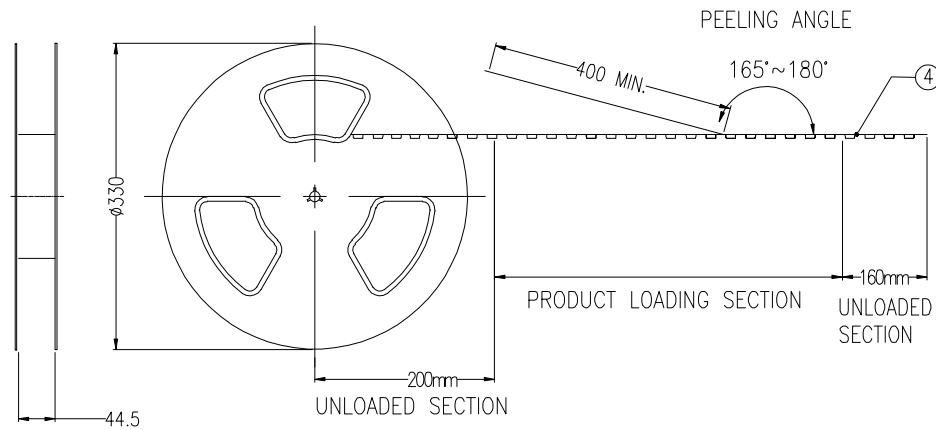
ORDER INFORMATION

SCV-W2523XR-06-LF
 SERIES REEL NON POST BODY HIGH 2.3mm PAD TO PAD 25.2mm
 LEADFREE 06WAY

DESCRIPTION: Sim Card 6Pin Without Post



360mmX365mmX460



USER DIRECTION OF UNREELING

说明:

1. 卷带中每位置放置一个产品, 每卷卷带的两端各预留约20cm不使用;
2. 边放产品边用密封胶封口, 1个卷盘放置800个产品;
3. 然后再卷一圈保护带, 保护带最后重叠约50MM, 用皱纹胶纸将其封住;
4. 每7L放入1个外箱; 放入天地板和护脚。
5. 此部品, 禁止使用含有《环境管理物质控制标准》所限制的物质作为材料。
6. 若客户需求其它标示方法, 依客户要求执行操作。

MORETHANALL
PCB CONNECTORS
Cable ASSEMBLIES

煜倫股份有限公司

www.morethanall.com

RoHS Compliant

DRAWING BY CY

CHECKED BY GENIUS

UNIT/ mm

SCALE 1:1

DATE

SIZE A4

TOLERANCES ARE

X, ±
.X ± 0.20
.XX ± 0.10
.XXX ±
ANG ±

PJECTION



ORDER INFORMATION

SCV-W2523XR-06-LF
SERIES | | | | LEADFREE
| | | | 06WAY
| | | | REEL
| | | | NON POST
90°SMT | | | BODY HIGH 2.3mm
| | | PAD TO PAD 25.2mm

DESCRIPTION: Sim Card 6Pin Without Post