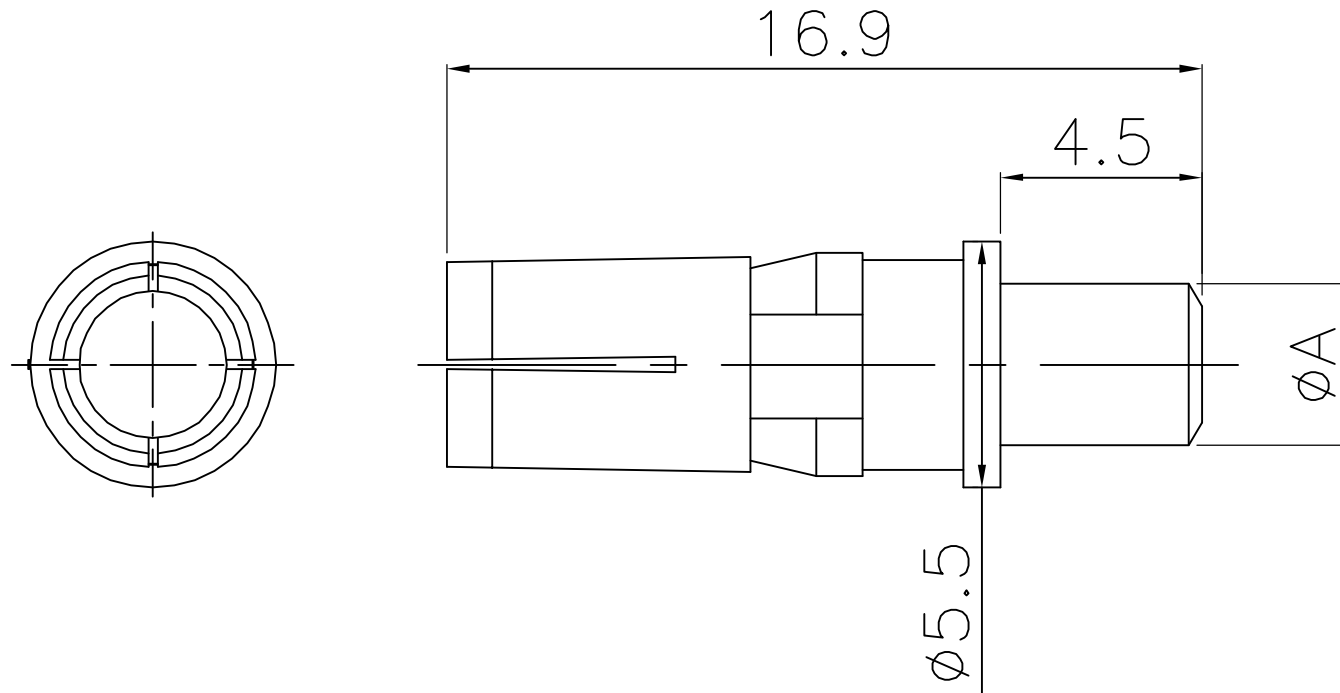


# Power Pin Dip 180° Female Terminal



DWD-F-40	40 Amps	8 AWG	5.5 mm
DWD-F-20	20 Amps	12 AWG	3.6 mm
DWD-F-10	10 Amps	16 AWG	2.5 mm
Part No.	Current Rating	Wire Size	Dim. $\phi A$

RoHS Compliant

TOLERANCES ARE

**MORETHANALL**  
PCB CONNECTORS  
Cable ASSEMBLIES

DRAWING BY CY

X.  $\pm$

.X  $\pm$  0.30

CHECKED BY GENIUS

.XX  $\pm$  0.25

UNIT / mm

SCALE 1 : 1

.XXX  $\pm$  0.15

ANG  $\pm$  2°

DATE

SIZE A4

PPOJECTION



ORDER INFORMATION

DWD-F-xx-LF

SERIES | LEADFREE  
40:40AMP  
20:20AMP  
10:10AMP  
FEMALE

煜倫股份有限公司

www.morethanall.com

DESCRIPTION: Power Pin 180° Dip Type