

ELECTRICAL CHARACTERISTICS @ 25°C

URNS RATIO

TX ICT: 1
RX ICT: 1

OCL: @100KHz/100mVRMS

8mA DC BLAS 350uH MIN

INS. LOSS 1MHz TO 100MHz -1.0dB MAX

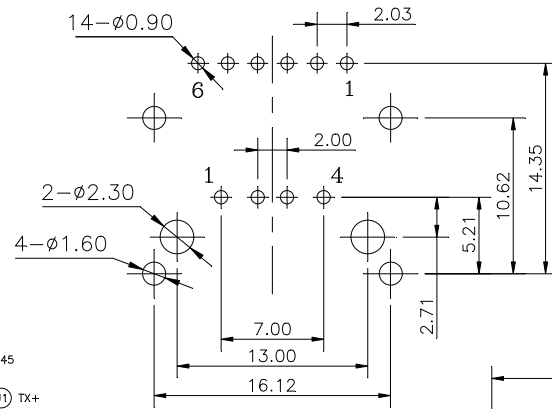
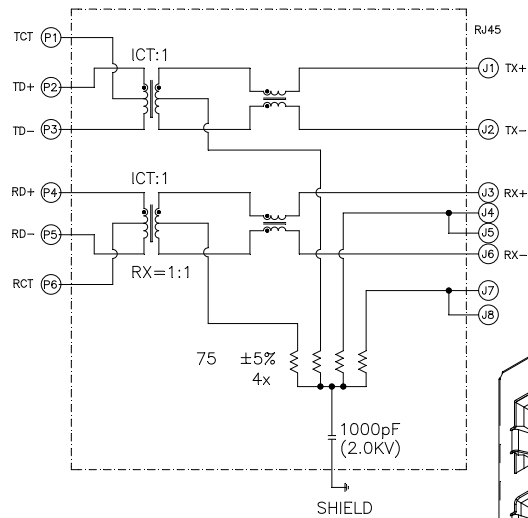
RET.LOSS(MIN)
1MHz-30MHz -18dB
30MHz-60MHz -18+20LOG(F/30MHz)dB
60MHz-80MHz -12dB

CROSS TALK (TX - RX)
50KHz-100MHz -35dB MIN

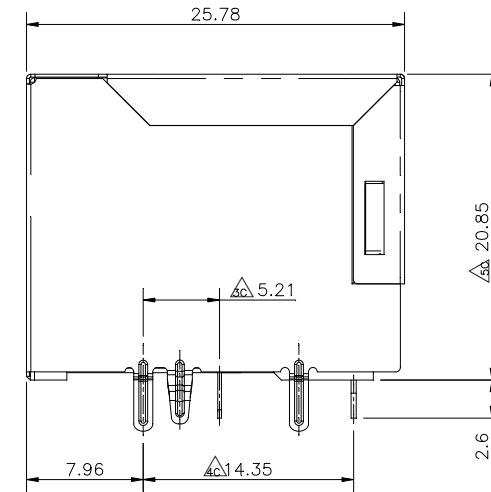
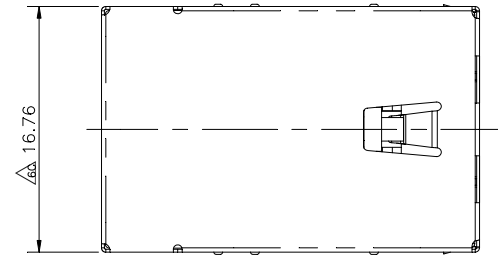
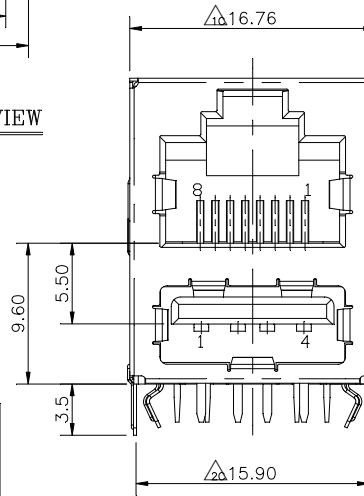
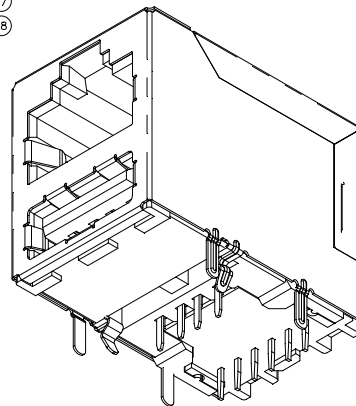
CM TO CM REJ
100KHz-100MHz -30dB MIN

CM TO DM REJ
100KHz-100MHz -40dB MIN

HIPOT (Isolation voltage): 1500Vrms



PCB LAYOUT/TOP VIEW



MATERIALS:
HOUSING:Thermoplastic,UL 94V-0. Color Black.
CONTACTS: Phosphor Bronze.
PLATING:
(1)Gold Plating Over Nickel In Contact.
(2)Tin Plating Over Nikel In Solder Area.
SHIELD: Brass Plating Nikel.
MECHANICAL:
DURABILITY: 1500 Mating Cycles.

RoHS Compliant

TOLERANCES ARE

MORETHANALL
PCB CONNECTORS
Cable ASSEMBLIES

DRAWING BY CY

X. ± 0.50

CHECKED BY GENIUS

.X ± 0.38

UNIT / mm

SCALE 1 : 1

.XX ± 0.25

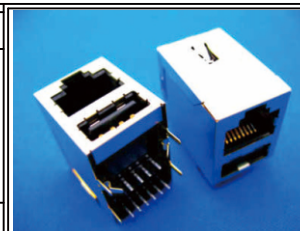
DATE

.XXX ± 0.10

ANG ±

SIZE A4

PJECTION



ORDER INFORMATION

MUJT16U-KX06-86A1-LF

SERIES

LEADFREE
8P6C TO A TYPE
06u" GOLD
NON EAR
BLACK

煜倫股份有限公司

www.morethanall.com

DESCRIPTION: