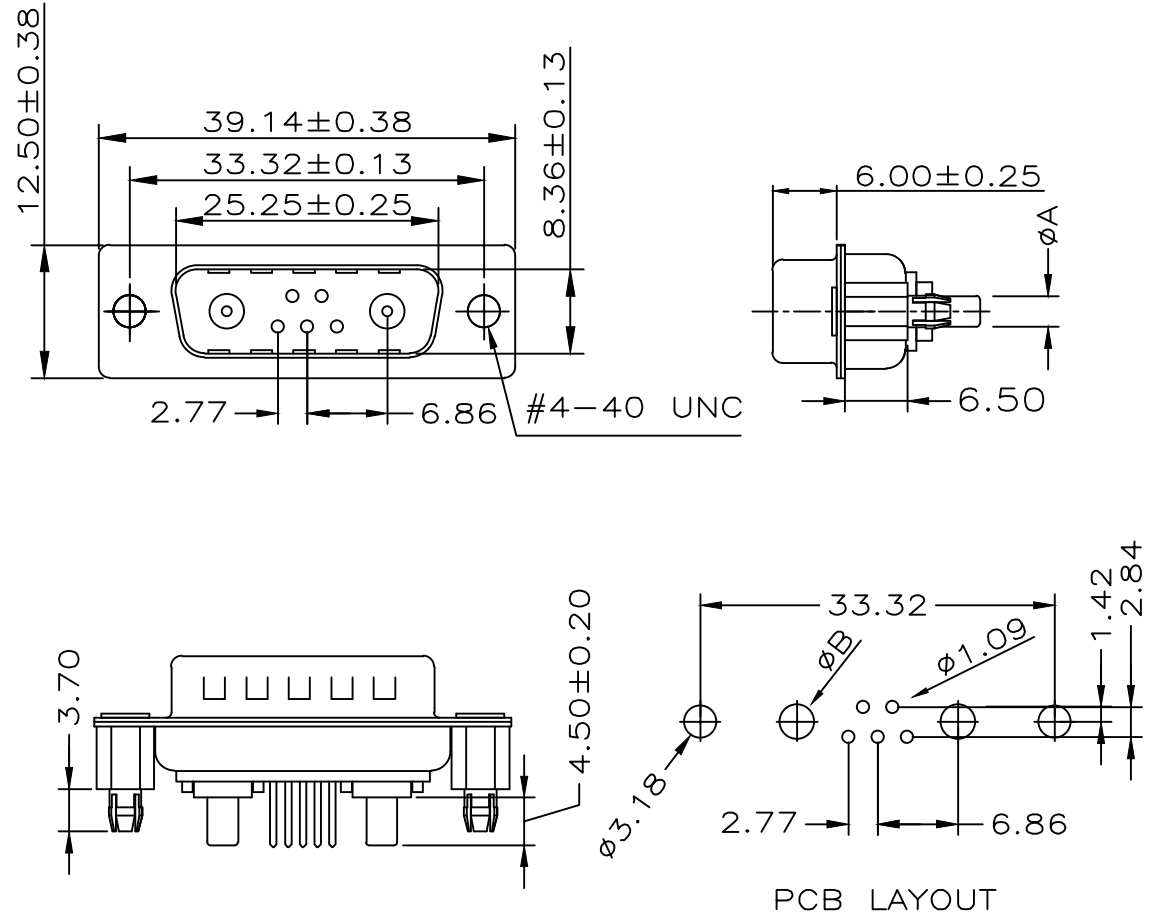


Table 1 Material	
Power Contact	Brass
Signal Contact	Brass
Metal Shell	Steel/Dimples on Plug only
Insulator	UL94V-0 Thermoplastic 30% glass filled
Boardlock	Brass

Table 2 Finish	
Power Contact	Gold-plated
Signal Contact	Gold-plated
Metal Shell	Tin or nickel plated
Boardlock	Nickel plated

Table 3 Electrical Data	
Current Rating	
Signal Contact	5 Amp
Power Contact	10 - 40 Amp
Operating Temperature	-55°C - +125°C
Insulator Resistance	Minimum 5000 MΩ
Contact Resistance	Maximum 10mΩ
Dielectric w/standing Volt	1000 V AC per min

Table 4 Dimension & Current Rating		
Current Rating	Dimension	
	øA	øB
40 AMPS	ø3.75	ø4.20
30 AMPS	ø3.20	ø3.65
20 AMPS	ø2.80	ø3.28
10 AMPS	ø1.70	ø2.20



RoHS Compliant

TOLERANCES ARE

MORETHANALL
PCB CONNECTORS
Cable ASSEMBLIES

DRAWING BY CY

CHECKED BY GENIUS

UNIT / mm

SCALE 1:1

DATE

SIZE A4

PJECTION

X.±
.X±
.XX±
.XXX±
ANG±



ORDER INFORMATION

DWD-PxxZ-07W2-LF

SERIES

CLIP

07W2

LEADFREE

40:40 AMPS
30:30 AMPS
MALE 20:20 AMPS
10:10 AMPS

煜倫股份有限公司

www.morethanall.com

DESCRIPTION: