

P.C.Board Layout

Contact:

Contact:Brass.

Insulator:Nylon6T.

Finish:Gold flash plated over nickel.

Circuits	Dimension	
	A	B
6	2.54	6.80
10	5.08	9.34
12	6.35	10.61
14	7.62	11.88
16	8.89	13.15
20	11.43	15.69
24	13.97	18.23
26	15.24	19.50
30	17.78	22.04
34	20.32	24.58
40	24.13	28.39
44	26.67	30.93
50	30.48	34.74
60	36.83	41.09
64	39.37	43.63
66	40.64	44.90
68	41.91	46.17
80	49.53	53.79
100	62.23	66.49

RoHS Compliant

TOLERANCES ARE

MORETHANALL
PCB CONNECTORS
Cable ASSEMBLIES

DRAWING BY CY

CHECKED BY GENIUS

UNIT / mm

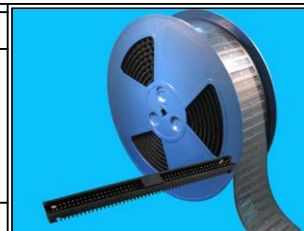
SCALE 1 : 1

DATE

SIZE A4

PJECTION

X. ±
.X ±
.XX ±
.XXX ±
ANG ±



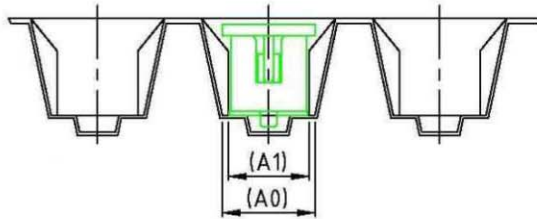
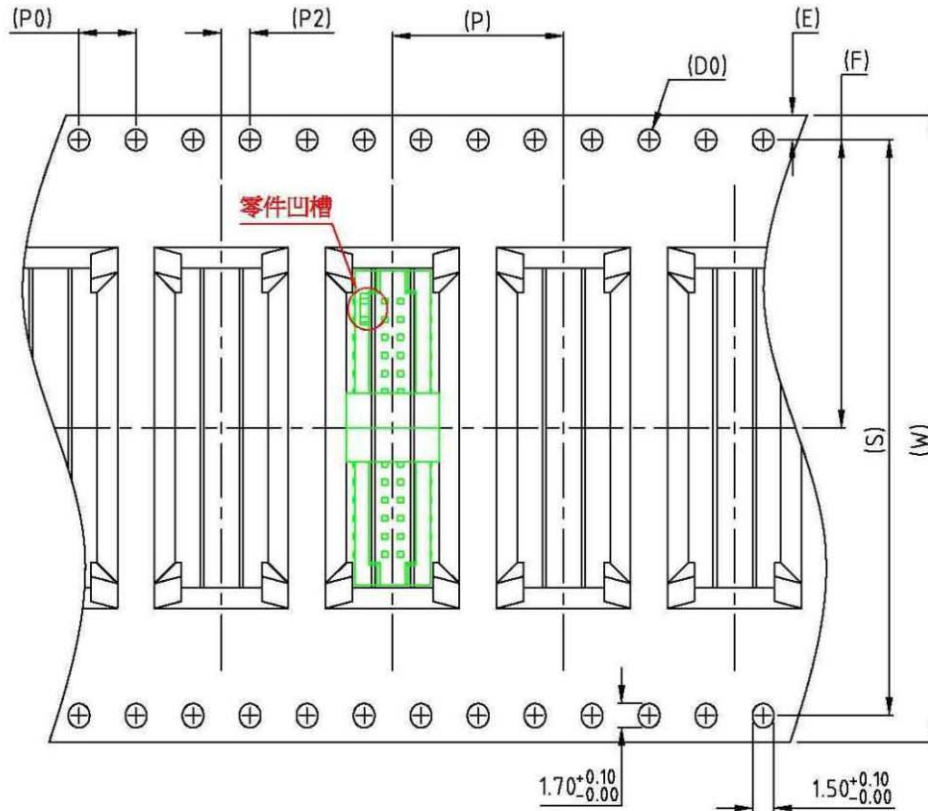
ORDER INFORMATION

PAB-V16PCR-2Xxx-LF
SERIES | LEADFREE
180°SMT | 2X03:06 WAY
1.6mm HIGH | REEL | 2X50:100 WAY
CAP | POST

煜倫股份有限公司

www.morethanall.com

DESCRIPTION:



※請注意!!零件凹槽，大點朝上，一併都朝圓孔擺放！

W	44.00±0.30	P	12.00±0.10	A0	6.50±0.10	B0	22.45±0.10
S	40.40±0.10	P0	4.00±0.10	A1	5.65±0.10	B1	18.95±0.10
E	1.75±0.10	P2	2.00±0.15	A2		B2	
F	20.20±0.15	D0	∅1.50 ^{+0.10} ₀	K0	8.00±0.10		
T	0.40±0.05	D1		K1	6.80±0.10	COLOR: BK/ANT	

RoHS Compliant

TOLERANCES ARE

MORETHANALL
PCB CONNECTORS
Cable ASSEMBLIES

DRAWING BY CY

X, ±

CHECKED BY GENIUS

.X ±

UNIT / mm

SCALE 1 : 1

.XX ±

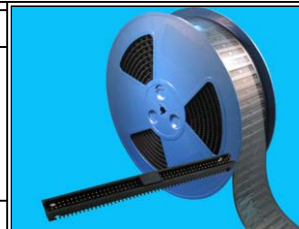
DATE

.XXX ±

ANG ±

SIZE A4

PJECTION



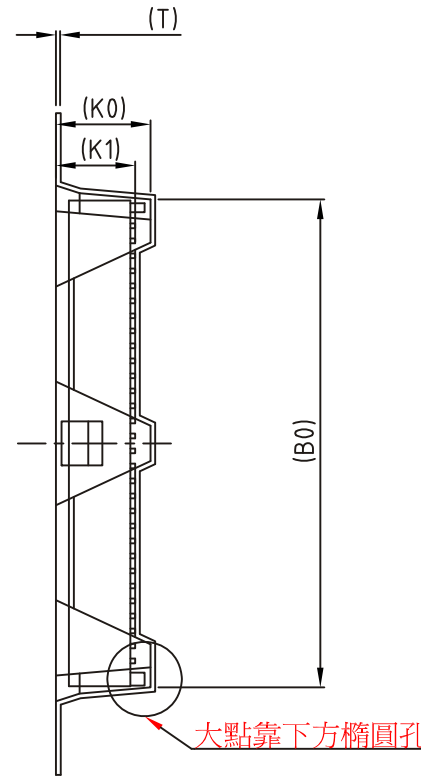
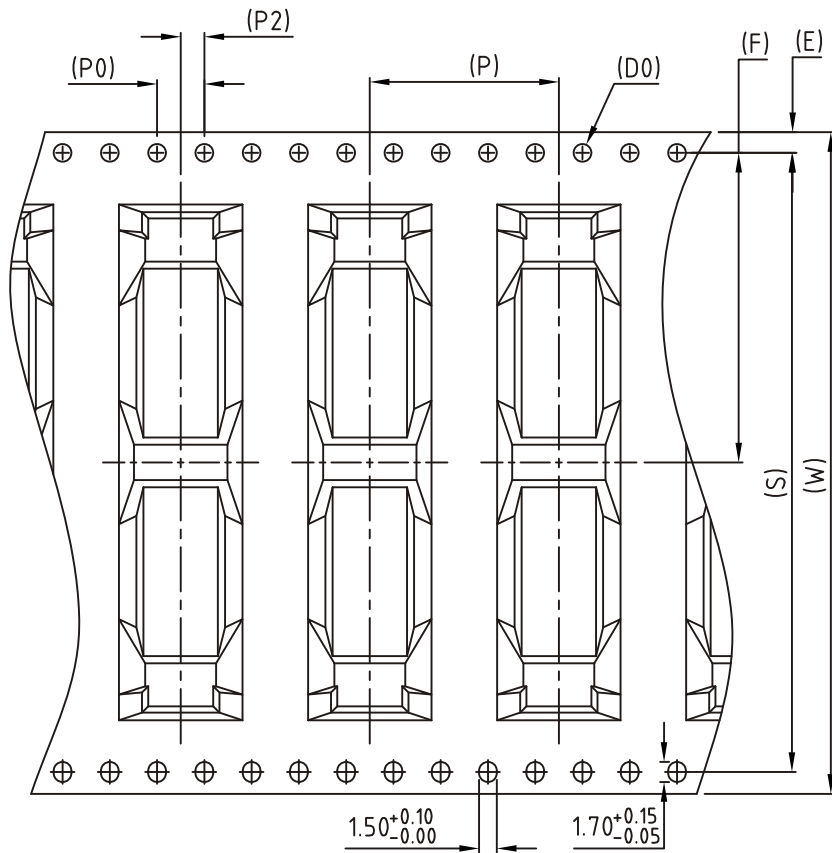
ORDER INFORMATION

PAB-V16PCR-2Xxx-LF
SERIES | LEADFREE
180°SMT | 2X03:06 WAY
1.6mm HIGH | REEL | 2X50:100 WAY
CAP | POST

煜倫股份有限公司

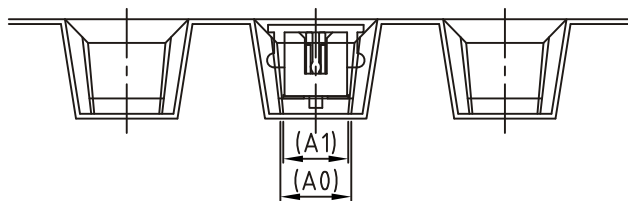
www.morethanall.com

DESCRIPTION: 30pin Reel



***請注意零件大點與凹槽朝橢圓孔！**

W	56.00±0.30	P	16.00±0.10	A0	6.00±0.10	B0	41.30±0.10
S	52.40±0.10	P0	4.00±0.10	A1	5.50±0.10	B1	
E	1.75±0.10	P2	2.00±0.15	A2		B2	
F	26.20±0.15	D0	∅1.50± ₀ ^{0.10}	K0	8.00±0.10		
T	0.40±0.05	D1		K1	6.70±0.10	COLOR :BK/ANT	



RoHS Compliant

TOLERANCES ARE

MORETHANALL
PCB CONNECTORS
Cable ASSEMBLIES

DRAWING BY CY

X.±

CHECKED BY GENIUS

.X±

UNIT / mm

SCALE 1 : 1

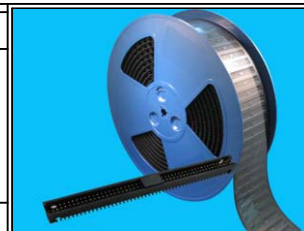
.XXX±

DATE

ANG±

SIZE A4

PJECTION



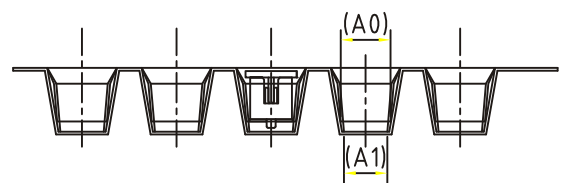
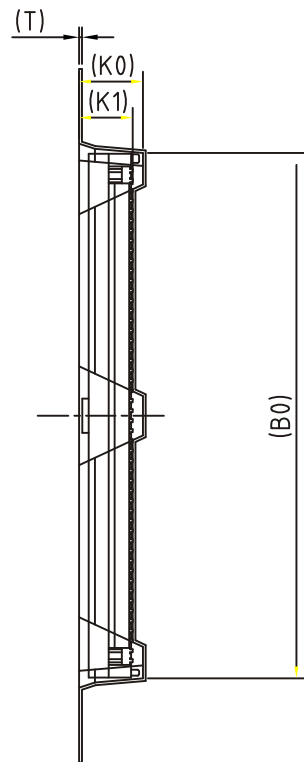
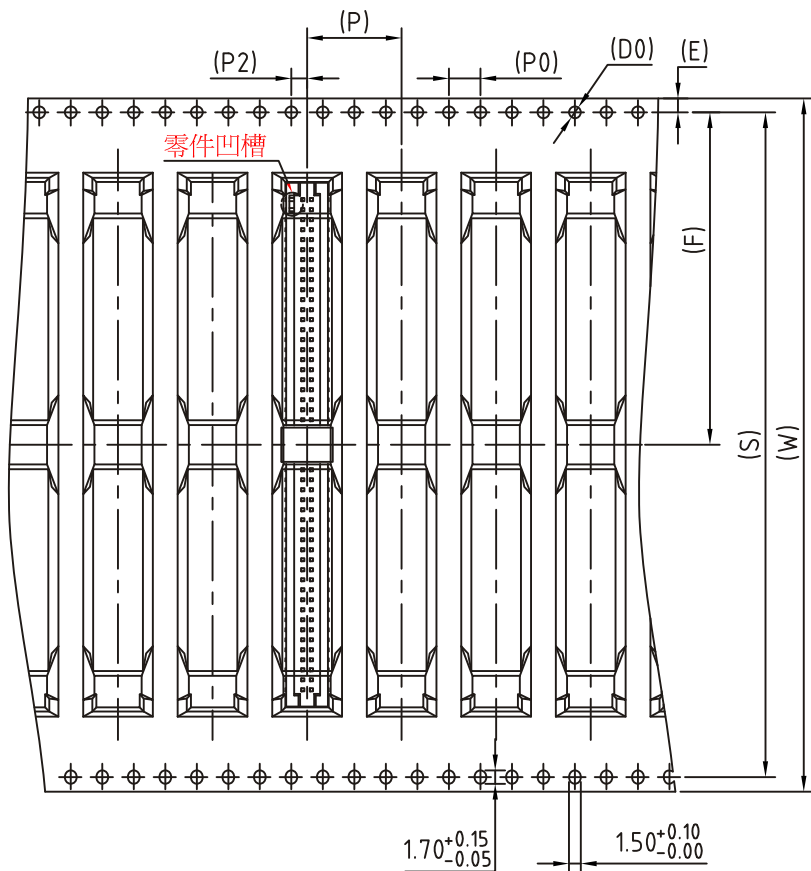
ORDER INFORMATION

PAB-V16PCR-2Xxx-LF
SERIES | | | | LEADFREE
180°SMT | | | | 2X03:06 WAY
1.6mm HIGH | | | | 2X50:100 WAY
REEL
CAP
POST

煜倫股份有限公司

www.morethanall.com

DESCRIPTION: 60pin Reel



*請注意! 零件凹槽, 須朝圓孔擺放!

W	88.00±0.30	P	12.00±0.10	A0	6.30±0.10	BO	66.70±0.10
S	84.40±0.10	P0	4.00±0.10	A1	5.50±0.10		
E	1.75±0.10	P2	2.00±0.20				
F	42.20±0.30	D0	∅1.50±0.10	K0	8.10±0.10		
T	0.35±0.05			K1	6.80±0.10	COLOR : BK/ANT	

RoHS Compliant

TOLERANCES ARE



煜倫股份有限公司

www.morethanall.com

DRAWING BY CY

CHECKED BY GENIUS

UNIT / mm SCALE 1 : 1

DATE

SIZE A4

X, ±

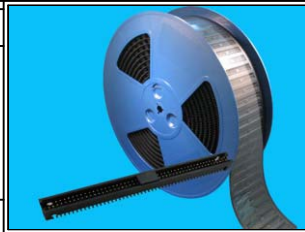
.X ±

.XX ±

.XXX ±

ANG ±

PJECTION



ORDER INFORMATION

PAB-V16PCR-2Xxx-LF
 SERIES | | | LEADFREE
 180°SMT | | | 2X03:06 WAY
 1.6mm HIGH | | | REEL
 | | | CAP
 | | | POST

DESCRIPTION: 100pin Reel