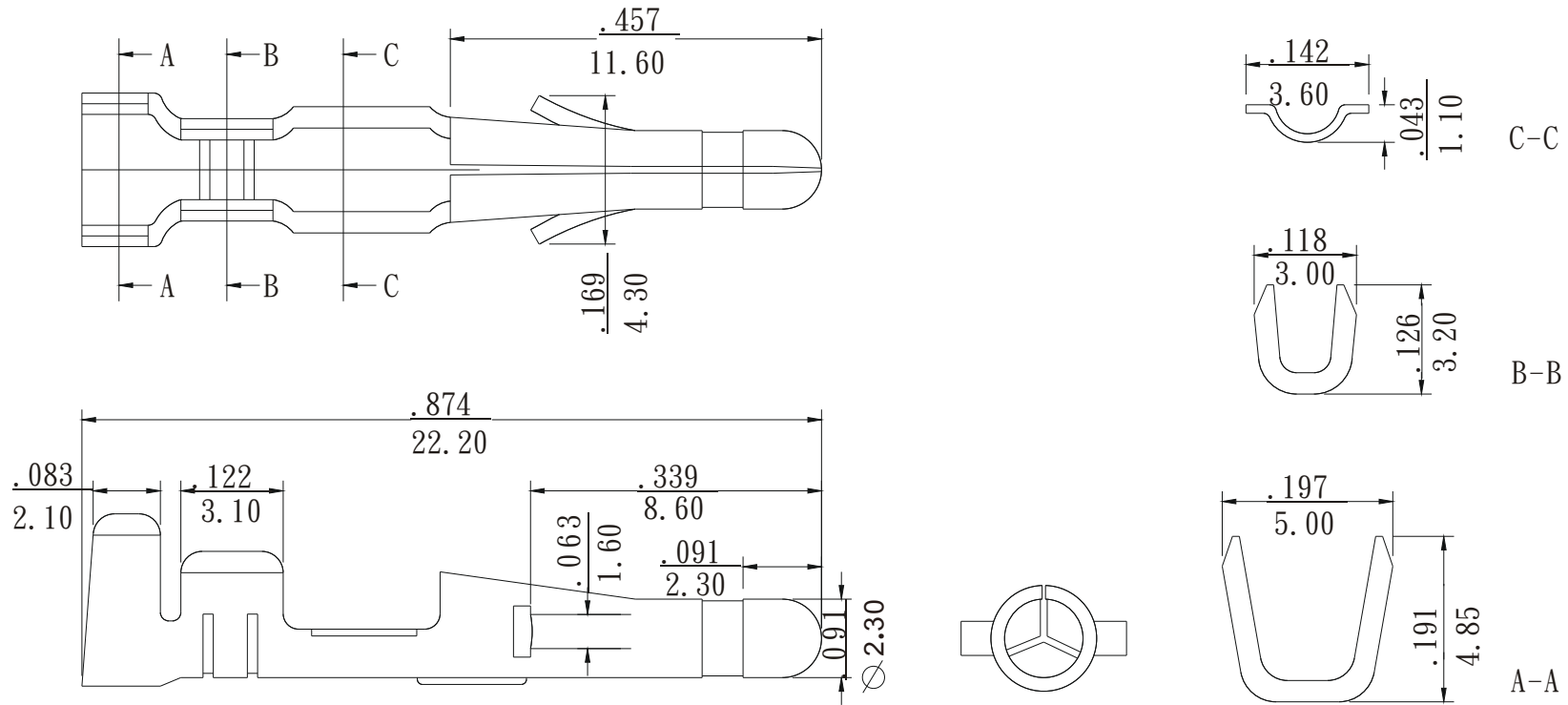


* Material : Brass



inch
mm

Part No.	Wire Range	Package
PW-M-14	AWG#14-#20	4000PCS/REEL
PW-M-20	AWG#20-#24	5000PCS/REEL

RoHS Compliant

TOLERANCES ARE



ORDER INFORMATION

MORETHANALL
PCB CONNECTORS
Cable ASSEMBLIES

DRAWING BY CY

CHECKED BY GENIUS

UNIT / mm

SCALE 1 : 1

DATE

SIZE A4

PJECTION

X. ±
.X ±
.XX ±
.XXX ±
ANG ±

PW-M-xx-LF
SERIES | LEADFREE
14:14~20AWG
20:20~24AWG
MALE

煜倫股份有限公司

www.morethanall.com

DESCRIPTION: