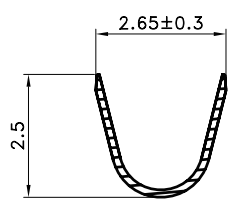


■ SPECIFICATIONS

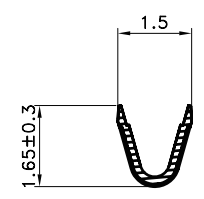
- Current Rating : 22 AWG 3.0A AC/DC
24 AWG 2.5A AC/DC
26 AWG 2.5A AC/DC
28 AWG 2.0A AC/DC
- Withstanding Voltage : 1,000V AC/minute
- Insulation Resistance : 1,000M Ω min.
- Temperature Range : - 25°C to + 85°C
- Contact Resistance : 20m Ω max.

■ TERMINAL

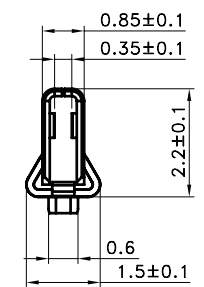
- Thickness : 0.15mm
- Applicable Wire : 22~28 AWG
- Q'ty: 10,000 Pcs/Reel



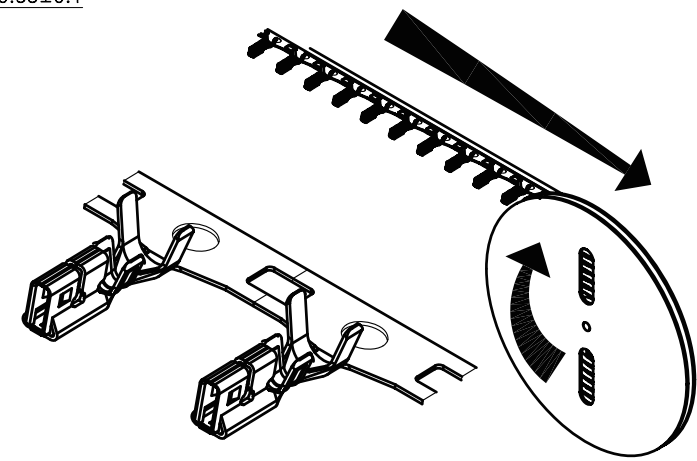
SEC.A-A



SEC.B-B



SEC.C-C



RoHS Compliant

TOLERANCES ARE



煜倫股份有限公司

www.morethanall.com

DRAWING BY CY

CHECKED BY GENIUS

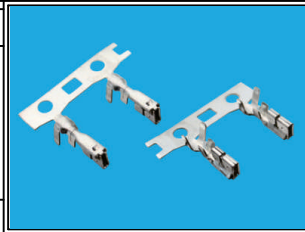
UNIT / mm SCALE 1 : 1

DATE

SIZE A4

- X. ±
- .X ±
- .XX ±
- .XXX ±
- ANG ±

PJECTION



ORDER INFORMATION

MCL-T-22-LF
SERIES | LEADFREE
22~28AWG
TERMINAL

DESCRIPTION: