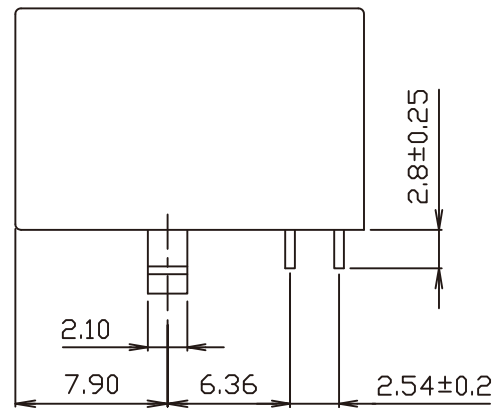
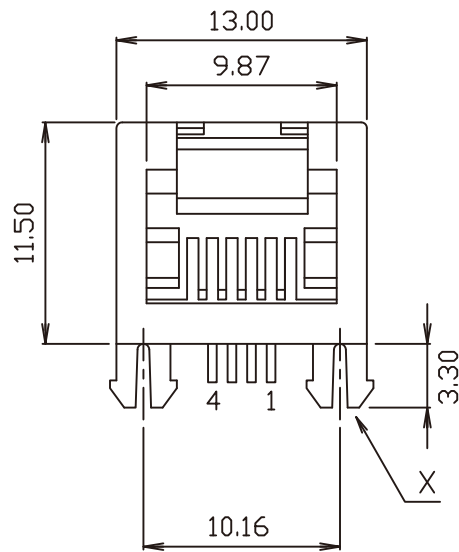


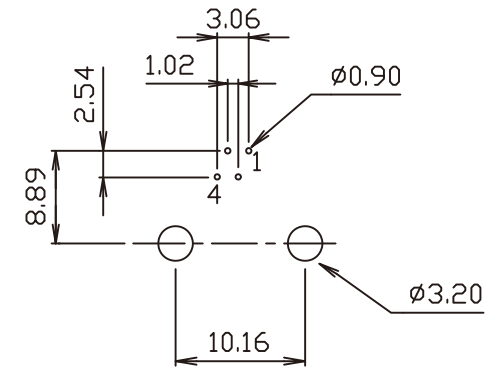
DETAIL X



MATERIALS:

- HOUSING-PBT POLYESTER UL94V-0
MIXED GLASS FIBER,
STANDARD COLOR-BLACK
- CONTACTS-0.45mm DIM. PHOS-BRONZE PLATED
WITH HARD GOLD.

CAVITY CONFIRMS TO FCC RULES AND REGULATIONS
PART 68,SUBPART F.



PC Board Layout
Ref.

RoHS Compliant

TOLERANCES ARE

MORETHANALL
PCB CONNECTORS
Cable ASSEMBLIES

DRAWING BY CY

CHECKED BY GENIUS

UNIT / mm

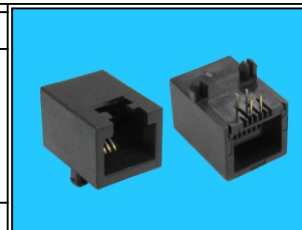
SCALE 1 : 1

DATE

SIZE A4

PJECTION

X, ±
.X ± 0.25
.XX ± 0.13
.XXX ± 0.05
ANG ±



ORDER INFORMATION

MJ11U-KX01-0604-LF

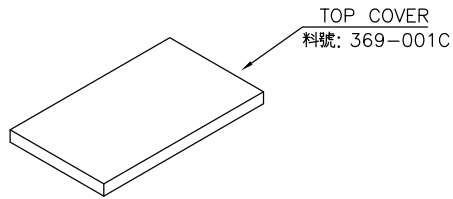
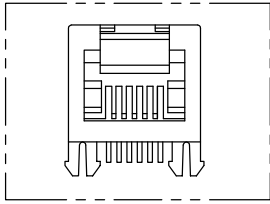
SERIES

LEADFREE
6P6C
GOLD FLASH
NON EAR
BLACK

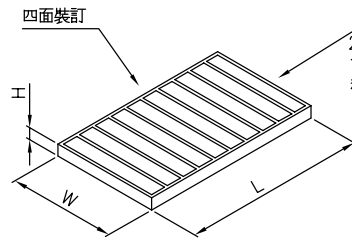
煜倫股份有限公司

www.morethanall.com

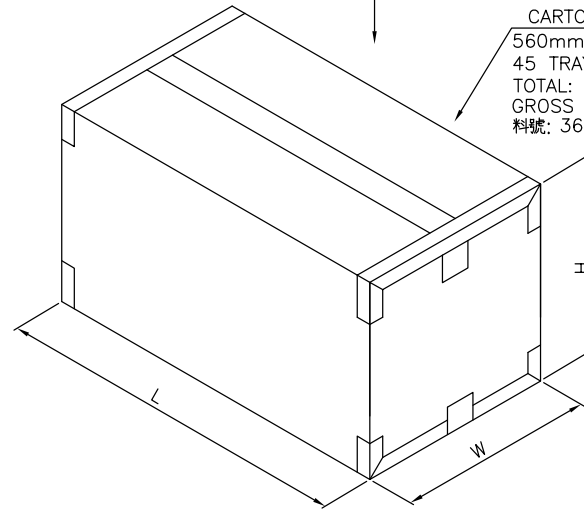
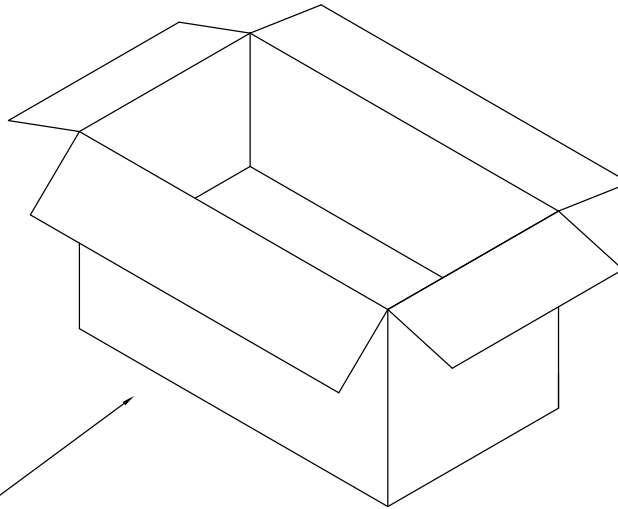
DESCRIPTION: SINGLE PORT 6POSITION L/P SIDE ENTRY PCB JACK



TOP COVER
料號: 369-001C



TRAY
290mm(L)X170mm(W)X20mm(H)
120 PCS/TRAY
料號: 369-003B



CARTON
560mm(L)X310mm(W)X310mm(H)
45 TRAY/CARTON
TOTAL: 5400 PCS
GROSS WEIGHT: 13Kg Ref.
料號: 361-003 (NO LOGO)

RoHS Compliant

TOLERANCES ARE

MORETHANALL
PCB CONNECTORS
Cable ASSEMBLIES

DRAWING BY CY

CHECKED BY GENIUS

UNIT / mm

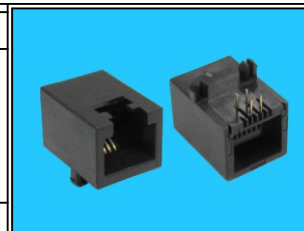
SCALE 1 : 1

DATE

SIZE A4

PPOJECTION

X, ±
.X ± 0.25
.XX ± 0.13
.XXX ± 0.05
ANG ±



ORDER INFORMATION

MJ11U-KX01-0604-LF

SERIES

LEADFREE
6P6C
GOLD FLASH
NON EAR
BLACK

煜倫股份有限公司

www.morethanall.com

DESCRIPTION: SINGLE PORT 6POSITION L/P SIDE ENTRY PCB JACK