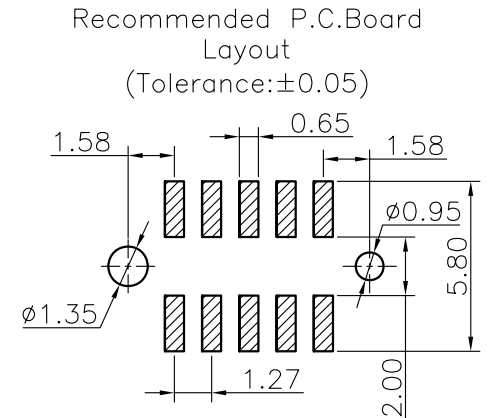
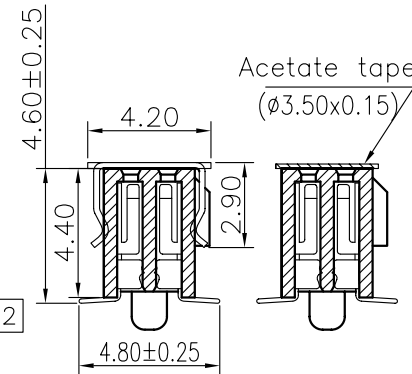
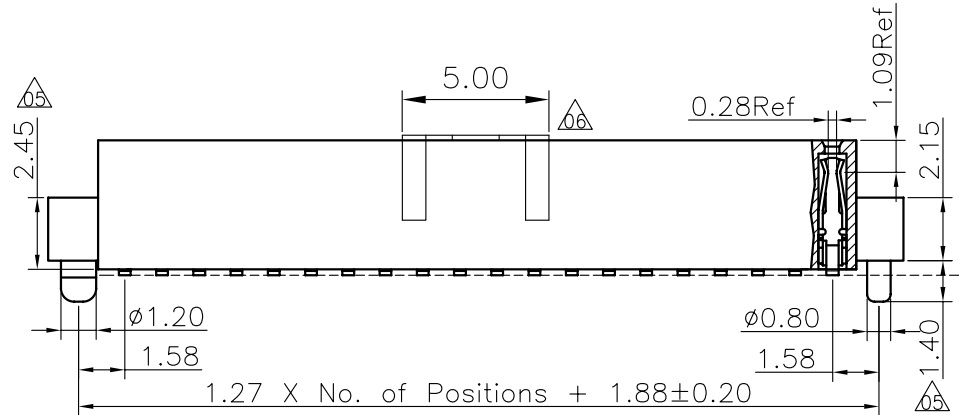


Specifications
 Current Rating:1Amp
 Insulation Resistance:1000MΩMin.
 Dielectric Withstanding Voltage:300VAC
 Contact Resistance:20mΩMax.
 Operating Temperature:-40°C to +125°C
 Materials
 Contact Material:Phosphor Bronze
 Insulator Material:High Temperature Thermoplastic, UL 94V-0 LCP or the equivalent material



RoHS Compliant

TOLERANCES ARE

MORETHANALL
PCB CONNECTORS
Cable ASSEMBLIES

煜倫股份有限公司

www.morethanall.com

DRAWING BY CY

CHECKED BY GENIUS

UNIT / mm

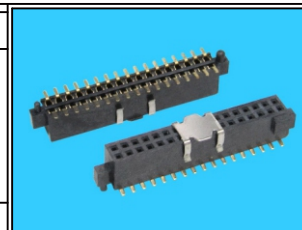
SCALE 1 : 1

DATE

SIZE A4

PJECTION

X. ± 0.30
 .X ± 0.25
 .XX ± 0.15
 .XXX ± 0.10
 ANG ±



ORDER INFORMATION

YAB-V46PC-2Xxx-LF

SERIES

180°SMT

CAP POST

HIGH 4.6mm

LEADFREE

2X03:06WAY

2X50:100WAY

DESCRIPTION: 1.27 FEMALE HEADER DUAL ROWS SMT TYPE W/POST