

NOTES:

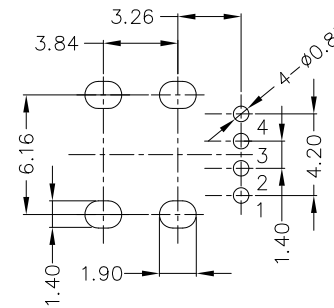
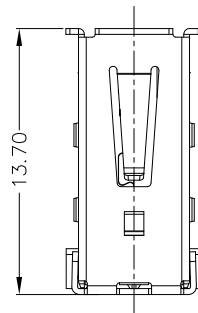
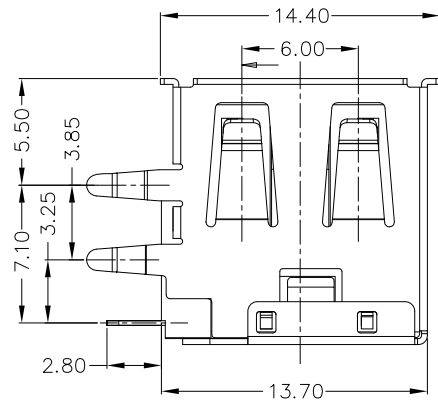
1. ELECTRICAL:

- 1) VOLTAGE CURRENT RATING: 2AMP, 30V AC;
- 2) INSULATION RESISTANCE: 1000MΩMIN;
- 3) CONTACT RESISTANCE: 30mΩMAX;
- 4) WITHSTANDING VOLTAGE: 500V AC;
- 5) OPERATING TEMPERATURE: -55°C TO +85°C.

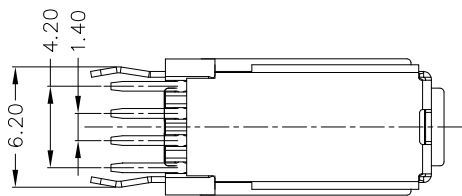
2. Mechanical:

- 1) Mating Force: 35N MAX
- 2) Unmating Force: 10N MIN.

3. DIMENSIONS MARKED "▼" TO BE CHECKED BY Q.C & IPQC.



RECOMMENDED PCB LAYOUT



Bill of materials:

NO	PARTS	MATERIAL	QTY	FINISHING
3	HOUSING	PBT+30%GF	1	UL94V-0
2	SHELL	COPPER ALLOY	1	PLATED NICKEL
1	TERMINAL	COPPER ALLOY	4	PLATED GOLD/TIN

RoHS Compliant

TOLERANCES ARE

MORETHANALL
PCB CONNECTORS
Cable ASSEMBLIES

DRAWING BY CY

X, ± 0.35

CHECKED BY GENIUS

.X, ± 0.30

UNIT / mm

SCALE 1 : 1

.XX, ± 0.25

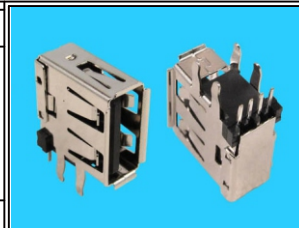
DATE

.XXX, ± 0.15

ANG ±

SIZE A4

PPOJECTION



ORDER INFORMATION

USB-SU4M2BK-4A-LF
SERIES | LEADFREE
FEMALE | 4 PIN A TYPE
BLACK | METAL FOOT
4 ROW | UPRIGHT

煜倫股份有限公司

www.morethanall.com

DESCRIPTION: USB AF側插短体13.7四只弯脚