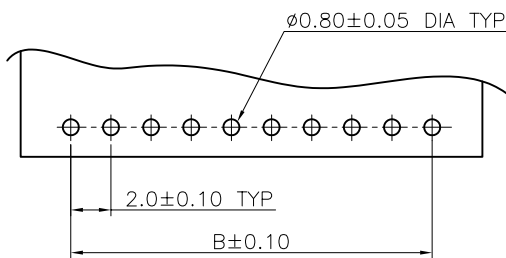
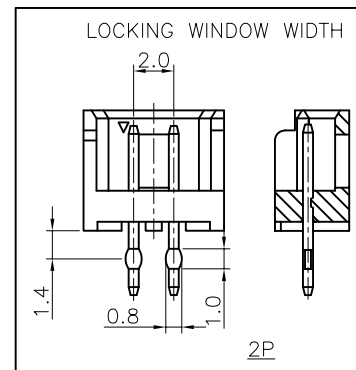
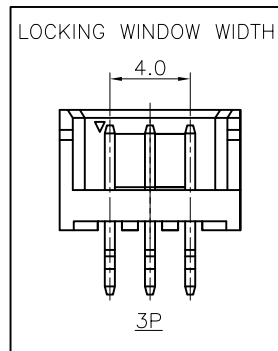
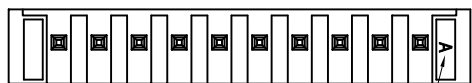
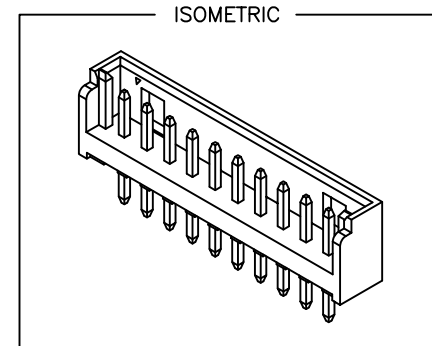
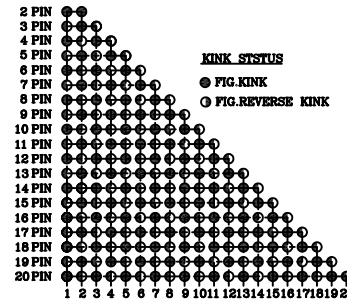
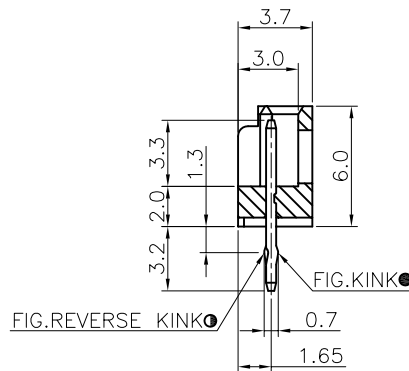
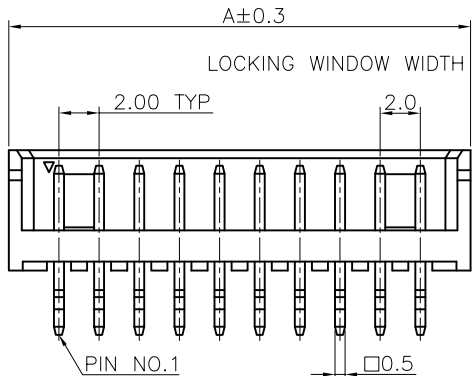


MATERIAL:
 * BASE: PBT, 94V-0, G/F 15% (WHITE)
 * PIN: BRASS (TIN-PLATED)



ORDER NO./DIMENSIONS:

CIRCUITS	ORDER NO.	DIM. A	DIM. B
2	MI-D-02	7.0	2.0
3	MI-D-03	9.0	4.0
4	MI-D-04	11.0	6.0
5	MI-D-05	13.0	8.0
6	MI-D-06	15.0	10.0
7	MI-D-07	17.0	12.0
8	MI-D-08	19.0	14.0
9	MI-D-09	21.0	16.0
10	MI-D-10	23.0	18.0
11	MI-D-11	25.0	20.0
12	MI-D-12	27.0	22.0
13	MI-D-13	29.0	24.0
14	MI-D-14	31.0	26.0
15	MI-D-15	33.0	28.0
16	MI-D-16	35.0	30.0
17	MI-D-17	37.0	32.0
18	MI-D-18	39.0	34.0
19	MI-D-19	41.0	36.0
20	MI-D-20	43.0	38.0

PCB LAYOUT

RoHS Compliant

TOLERANCES ARE

MORETHANALL
 PCB CONNECTORS
 Cable ASSEMBLIES

DRAWING BY CY

X ± 0.50

CHECKED BY GENIUS

.X ± 0.25

UNIT / mm

SCALE 1 : 1

.XX ± 0.12

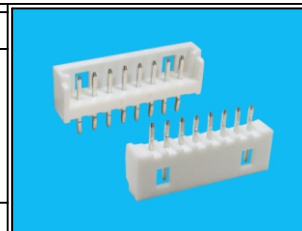
DATE

.XXX ± 0.08

ANG ±

SIZE A4

PPOJECTION



ORDER INFORMATION

MI-D-xx-LF
 SERIES | LEADFREE
 02-20WAY
 DIP 180°

煜倫股份有限公司

www.morethanall.com

DESCRIPTION: