

MORETHANALL
PCB CONNECTORS
Cable ASSEMBLIES

煜倫股份有限公司

www.morethanall.com

RoHS Compliant

DRAWING BY CY

CHECKED BY GENIUS

UNIT/mm SCALE 1:1

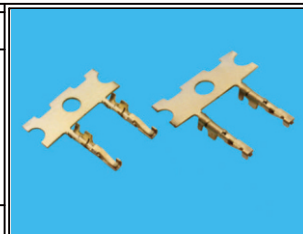
DATE

SIZE A4

TOLERANCES ARE

X. ±
.X ±
.XX ±
.XXX ±
ANG ±

PJECTION

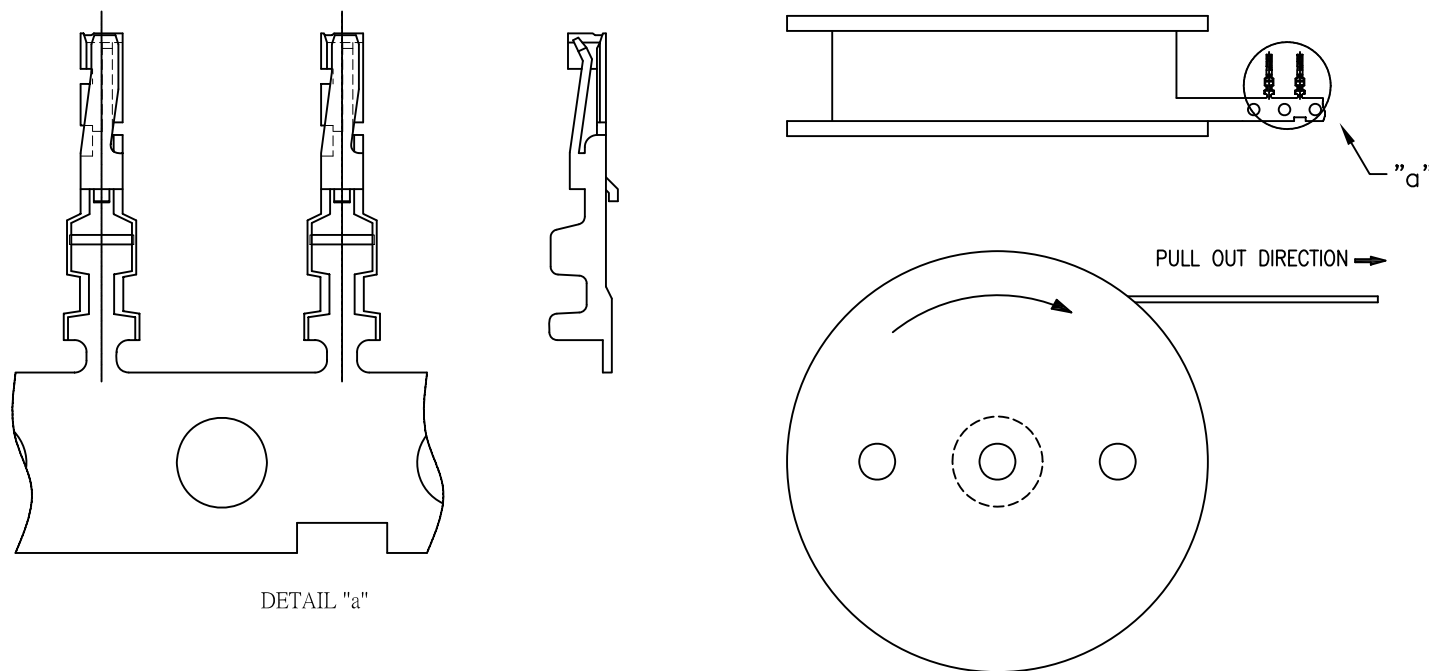


ORDER INFORMATION

DF19-TG-28-LF

SERIES | LEADFREE
| 28-34 AWG
| GOLD
| TERMINAL

DESCRIPTION: DF19 1.0mm Single Rowocket (Terminal)



DETAIL "a"

NOTES:

1. MATERIALS: PHOSPHOR BRONZE, T=0.15mm.
2. FINISH.
 1. 3u" GOLD ON CONTACT AREA, GOLD FLASH ON OTHER AREA, BOTH OVER NICKEL
 2. GOLD FLASH OVER NICKEL
3. PACKING TYPE: 15K PCS/REEL
4. APPLICABLE WIRE: #28, #30, #32, #34 AWG

RoHS Compliant

TOLERANCES ARE

MORETHANALL
PCB CONNECTORS
Cable ASSEMBLIES

DRAWING BY CY

CHECKED BY GENIUS

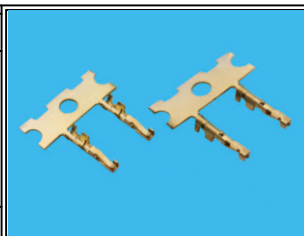
UNIT/mm

SCALE 1:1

DATE

SIZE A4

X, ±
.X ±
.XX ±
.XXX ±
ANG ±



ORDER INFORMATION

DF19-TG-28-LF

SERIES	LEADFREE
	28-34 AWG
GOLD	
TERMINAL	

煜倫股份有限公司

www.morethanall.com

P PROJECTION

DESCRIPTION: DF19 1.0mm Single Row socket (Terminal)