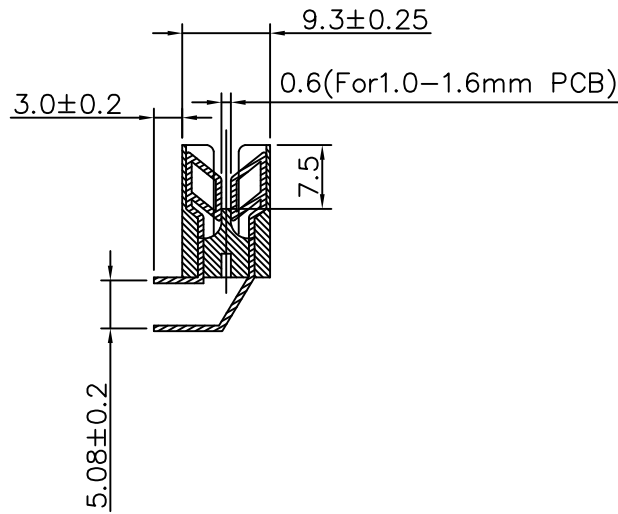
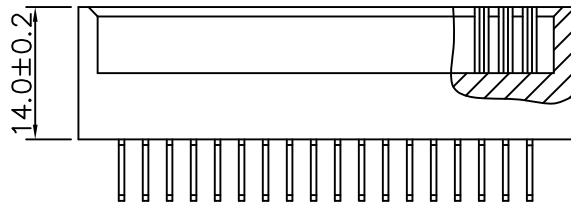


SPECIFICATIONS

Current Rating:3A
 Dielectric Withstanding Volatge:1000V AC/1 Min
 Contact Resistance:20Milliohms Max
 Insulation Resistance:5000Megohm Min At 500V DC
 Operating Temperature:-55°C~+85°C
 Insertion Force:340g Max Per Pair
 Withdrawal Force:28g Min Per Pair
 Insulator:Glass-Fiber PBT(UL94V-0)
 Contact: Brass (B)
 Plating:Gold Plating Over Nickel.
 RoHS Compliant



RoHS Compliant

TOLERANCES ARE

MORETHANALL
 PCB CONNECTORS
 Cable ASSEMBLIES

DRAWING BY CY

CHECKED BY GENIUS

UNIT / mm

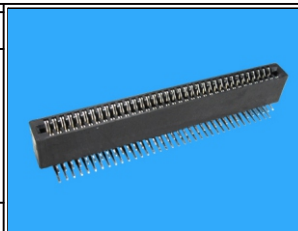
SCALE 1 : 1

DATE

SIZE A4

PPOJECTION

X. ±
 .X ± 0.38
 .XX ± 0.25
 .XXX ±
 ANG ±



ORDER INFORMATION

GS-R-072-LF
 SERIES | LEADFREE
 | 72 WAY
 | DIP 90°

煜倫股份有限公司

www.morethanall.com

DESCRIPTION: