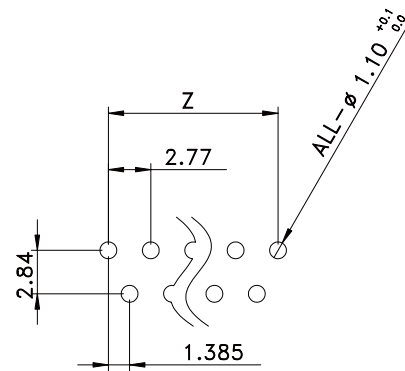
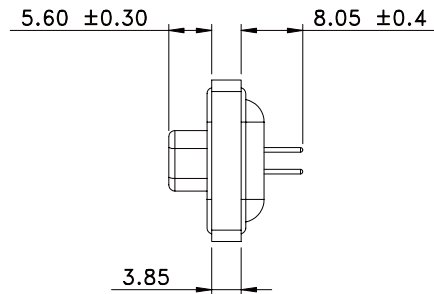
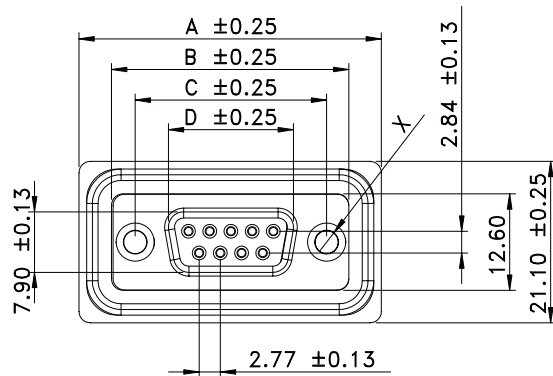


Recommended Panel Cut-Out
TOLERANCE: ±0.05mm



Recommended P.C.B LAYOUT
TOLERANCE: ±0.05mm

SPECIFICATION

MATERIAL

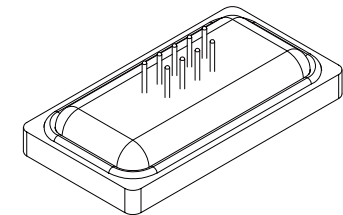
Insulator: Thermoplastic
Contacts: Copper Alloy
Shell: Steel
O-ring: Silicone
Sealant: Epoxy-Resin
Rivet: Copper Alloy

CONTACT PLATING

Underplate :50u"~150u" Nickel
Contact Area :1u"~30u" Selective Gold
Rivet :50u"~100u" Nickel

ELECTRICAL

Operation Voltage :250 VAC Max
Current Rating :3 Amps Max
Contact Resistance :15 Mohms Min 500 VDA
Dielectric Withstanding Voltage 1000 VAC/Minute
Temperature Range :-55°C TO +105°C



DIM FOR "X"

1=4.8mm Closed Circular Rivet(M3)

2=4.8mm Closed Circular Rivet(4#40)

PIN	A	B	C	D	X	Y	Z
9	39.50	31.00	25.00	16.34	25.20	20	11.08
15	48.00	39.30	33.32	24.66	33.50	28.30	19.39
25	61.50	53.20	47.04	38.38	47.20	42.00	33.24
37	77.80	69.50	63.50	54.84	63.70	58.50	49.86

RoHS Compliant



煜倫股份有限公司

www.morethanall.com

DRAWING BY CY

CHECKED BY GENIUS

UNIT/mm SCALE 1:1

DATE

SIZE A4

TOLERANCES ARE

X, ±
.X ±
.XX ±
.XXX ±
ANG ±

P PROJECTION



ORDER INFORMATION

WPDB-SDN-xx-LF

SERIES | | | LEADFREE
| | | 09-37WAY
| | | NUT
| | | DIP180°
| | | FEMALE

DESCRIPTION: WATER-PROOF D-SUB (DIP180° FEMALE)