

RECOMMENDED PCB LAYOUT(TOP VIEW)

备注:

- 材质:
 - 胶芯: LCP+30%G.F UL94V-0
 - 端子: 磷铜, T=0.12mm; 镍底, 镀金X μ "
 - 外壳: 不锈钢, T=0.30mm; 表面镀镍100 μ "或亮锡100 μ "
 - 接地片: 不锈钢, T=0.10mm;
 - 卡片: 不锈钢, T=0.15mm;
- 主要特性:
 - 额定电流: 0.5A
 - 接触阻抗: 30m Ω MAX
 - 绝缘阻抗: 100M Ω MIN 250V DC
 - 耐压测试: 250V AC
 - 沾锡性: 温度250 \pm 5 $^{\circ}$ C, 时间5 \pm 0.5s
 - 整体插入力: 3.57kgf MAX
整体拔出力: 1.02kgf MIN
 - 使用寿命: 10000次
 - 工作温度: -30 $^{\circ}$ C ~ +80 $^{\circ}$ C

A1	GND	B12	GND
A2	SSTXP1	B11	SSRXP1
A3	SSTXN1	B10	SSRXN1
A4	VBUS	B9	VBUS
A5	CC1	B8	SBU2
A6	DP1	B7	DN2
A7	DN1	B6	DP2
A8	SBU1	B5	CC2
A9	VBUS	B4	VBUS
A10	SSRXN2	B3	SSTXN2
A11	SSRXP2	B2	SSTXP2
A12	GND	B1	GND
IN	SIGNAL NAMF	PIN	SIGNAL NAMF

RoHS Compliant



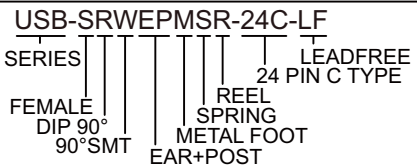
煜倫股份有限公司

www.morethanall.com

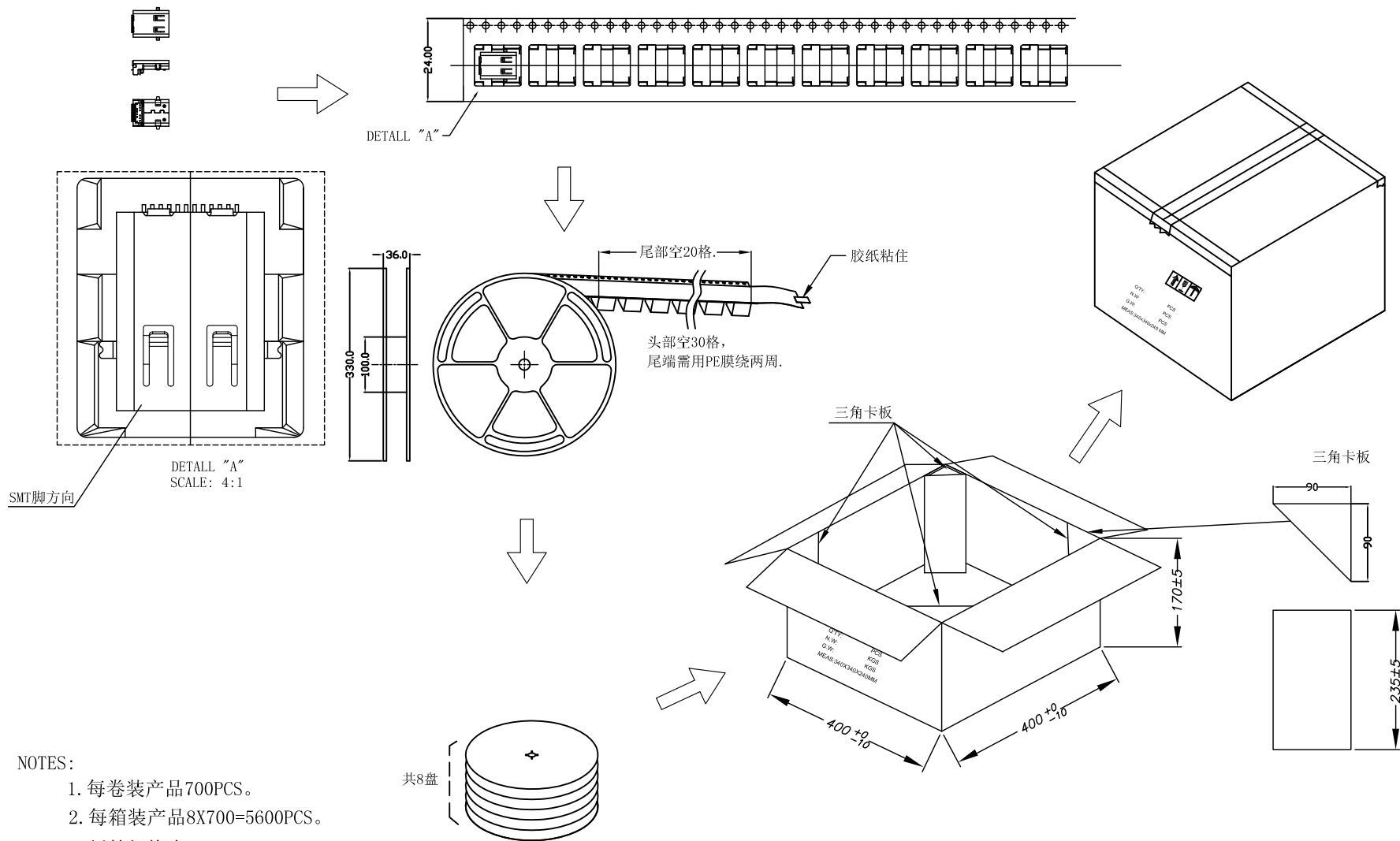
DRAWING BY CY		TOLERANCES ARE
CHECKED BY GENIUS		
UNIT / mm	SCALE 1:1	X. \pm
DATE		.X \pm 0.30
SIZE A4	PJECTION	.XX \pm 0.25
		.XXX \pm 0.15
		ANG \pm



ORDER INFORMATION



DESCRIPTION: USB-TYPE-C3. 1母座板上加长L=11.



NOTES:

1. 每卷装产品700PCS.
2. 每箱装产品8X700=5600PCS.
3. 纸箱规格为:340MM*340MM*240MM

RoHS Compliant

TOLERANCES ARE

MORETHANALL
PCB CONNECTORS
Cable ASSEMBLIES

DRAWING BY CY

X, ±

CHECKED BY GENIUS

.X ± 0.30

UNIT / mm

SCALE 1:1

.XX ± 0.25

DATE

.XXX ± 0.15

ANG ±

SIZE A4

PJECTION



ORDER INFORMATION

USB-SRWEPM5R-24C-LF

SERIES

FEMALE

DIP 90°

90°SMT

REEL

SPRING

METAL FOOT

EAR+POST

LEADFREE

24 PIN C TYPE

DESCRIPTION: USB-TYPE-C3. 1母座板上加长L=11.

煜倫股份有限公司

www.morethanall.com