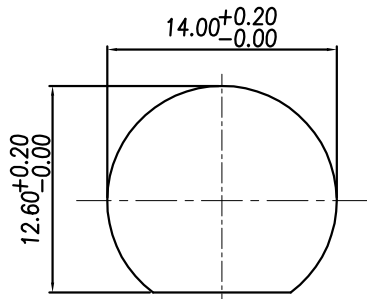
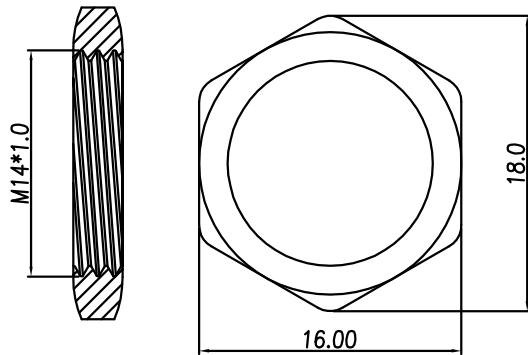


TABLE A

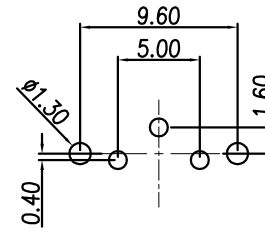
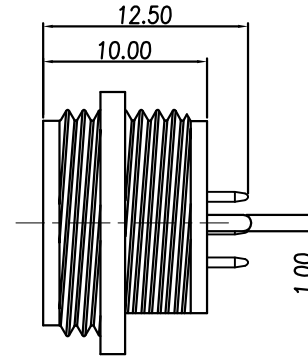
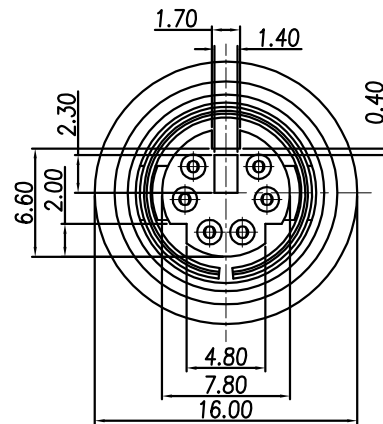
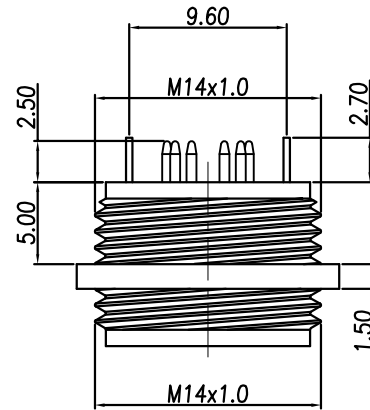
MDD-SPAN-03	MDD-SPAN-04	MDD-SPAN-05
MDD-SPAN-06	MDD-SPAN-07	MDD-SPAN-08



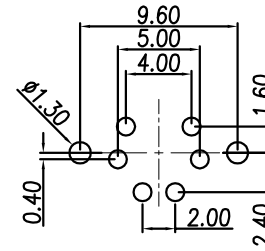
PANEL CUT-OUT



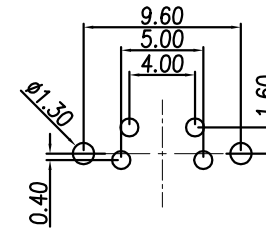
NUT



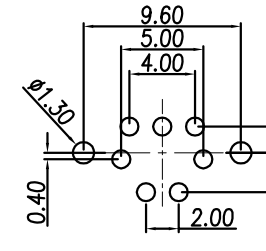
P.C.B LAYOUT



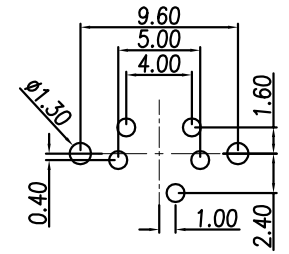
P.C.B LAYOUT



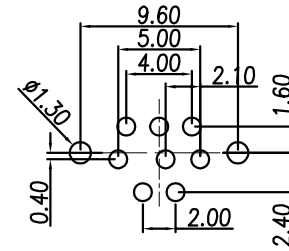
P.C.B LAYOUT



P.C.B LAYOUT



P.C.B LAYOUT



P.C.B LAYOUT

- MATERIAL :
 - Housing : PBT UL94V-0 ; Color : Black
 - Contact : Phosphor Bronze
 - Shell : Brass
- FINISH :
 - Contact : Bright Tin Plated
 - Shell : Nickel Plated
- ELECTRICAL SPECIFICATION :
 - Rated current : 2A
 - Rated voltage : 12v DC
 - Insulation Resistance : 50M Ω min. at 250V DC
 - Dielectric Strength : 250V AC / 1 minute
 - Contact Resistance : 30m Ω max.
 - Insertion force : 45N max.
 - Withdrawal force : 9N to 30N
 - Durability Test : 1000 Cycles
- Environmental :
 - Operation Temperature : -20 $^{\circ}$ C~85 $^{\circ}$ C

RoHS Compliant

TOLERANCES ARE

MORETHANALL
PCB CONNECTORS
Cable ASSEMBLIES

煜倫股份有限公司

www.morethanall.com

DRAWING BY CY

CHECKED BY GENIUS

UNIT / mm

SCALE 1 : 1

DATE

SIZE A4

X, \pm
X \pm 0.20
.XX \pm 0.10
.XXX \pm 0.05
ANG \pm 1 $^{\circ}$

P PROJECTION



ORDER INFORMATION

MDD-SPAN-xx-LF
SERIES | | | LEADFREE
| | | 03-08 WAY
| | | NUT
| | | PANEL FRONT
| | | FEMALE

DESCRIPTION: MiniDin (F) SOCKET SCREW DIP TYPE