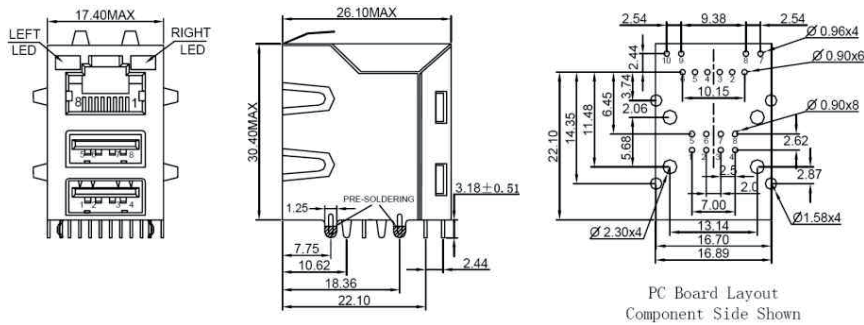
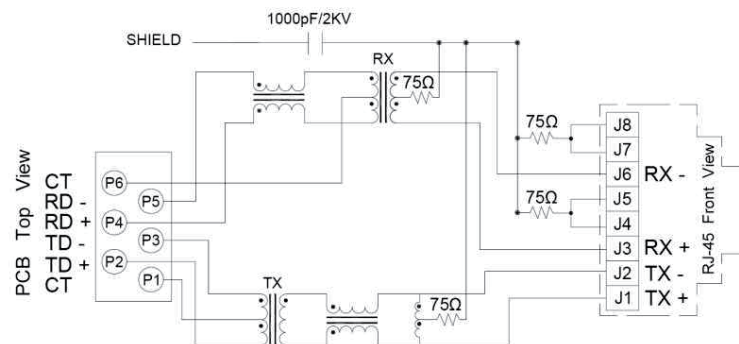


## 一、Mechanical Dimensions



UNIT: mm Unless otherwise specified, all tolerances are  $\pm 0.25$

## 二、Schematics



Standard LED	Wavelength	Forward*V(MAX)	TYP
Green	565nm	2.5v	2.2v
Yellow	585nm	2.5v	2.1v
Orange	610nm	2.5v	2.1v

With a forward current of 20mA

## 三、ELECTRICAL SPECIFICATIONS@25°C:

1. Turn Ratio( $\pm 5\%$ ): TX=1CT:1, RX=1CT:1CT
2. Inductance (100KHz/0.1V@8mA): 350uH MIN
3. Insertion Loss (dB MAX): -1.0dB(1-100MHz)
4. Return Loss(dB MIN): -18dB(1-30MHz), -16dB(30-60MHz), -12dB(60-80MHz)
5. Cross talk (dB MIN): -35dB(1-100MHz)
6. CMR(dB MIN): -30dB(1-100MHz)
7. HI-POT(Pri to Sec): 1500Vrms/0.5mA/60sec or 1650Vrms/0.5mA/2sec
8. Operating Temperature: 0°C TO +70°C
9. RoHS compliance: YES

**RoHS Compliant**

TOLERANCES ARE

**MORETHANALL**  
PCB CONNECTORS  
Cable ASSEMBLIES

煜倫股份有限公司

www.morethanall.com

DRAWING BY CY

CHECKED BY GENIUS

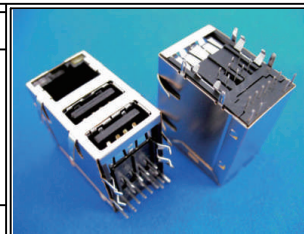
UNIT/ mm SCALE 1:1

DATE

SIZE A4

X,  $\pm$   
X,  $\pm$   
.XX  $\pm$   
.XXX  $\pm$   
ANG  $\pm$

PJECTION



**ORDER INFORMATION**

**MUJT16UL-KF06GOYX-86AA**

SERIES  
BLACK  
FULL SPRING  
06u" GOLD  
8P6C TO AA TYPE  
LEFT / RIGHT  
GREEN+ORANGE / YELLOW

DESCRIPTION:

## 四、Mechanicals

**Housing Material:** PBT

**Insert Material:**

Insert :PBT UL94V-0

Contact : Copper Alloy ( $t=0.3\text{mm}$ )

**Contact pin Material:**

RJ Upper Support : PBT UL 94V-0

Contact : SPCC ( $t=0.4\text{mm}$ )

**Shielding Material:**

MATERIAL: BRASS, C2680

**USB:**

Housing :PBT UL94V-0 Black.

Contact:Copper Alloy ( $t=0.25\text{mm}$ )

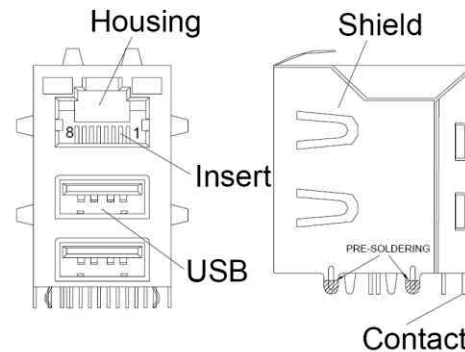
Shell:Copper Alloy ( $t=0.30\text{mm}$ )

Solder Tail Tin Plated Contact Area 1u" Gold Plated

## Environmental

1.Storage Temp:-40°C TO +85°C.

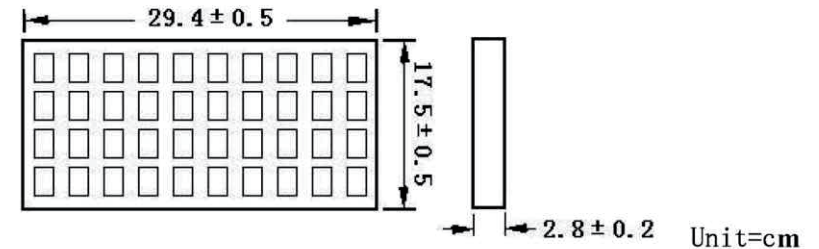
2.Operating Temp:0°C TO +70°C



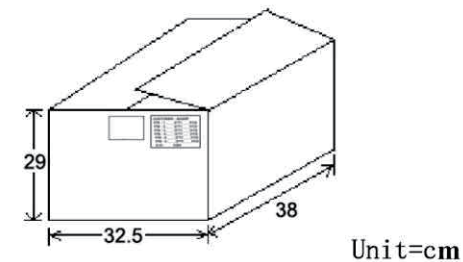
## 五、Packaging



1. packaging unit : 40 PCS/tray

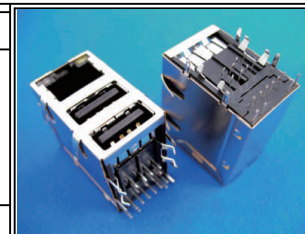
2. packaging material : PET



3. outer carton unit: 640 pcs/ 16 Trays/box



 煜倫股份有限公司 www.morethanall.com		<b>RoHS Compliant</b>		TOLERANCES ARE
		DRAWING BY CY	X. ± .X ± .XX ± .XXX ± ANG ±	
CHECKED BY GENIUS	UNIT/ mm	SCALE 1 : 1		
DATE	SIZE A4	P PROJECTION		



<b>ORDER INFORMATION</b>	
<b>MUJT16UL-KF06GOYX-86AA</b>	
SERIES	8P6C TO AA TYPE
BLACK	LEFT / RIGHT
FULL SPRING	GREEN+ORANGE / YELLOW
	06u" GOLD
DESCRIPTION:	