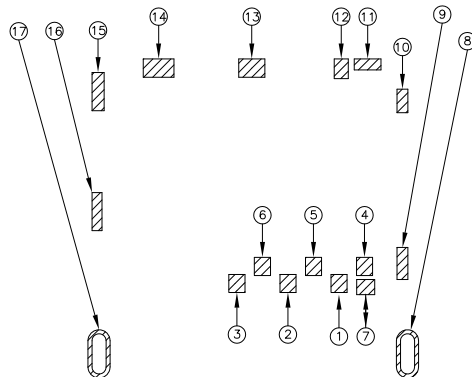
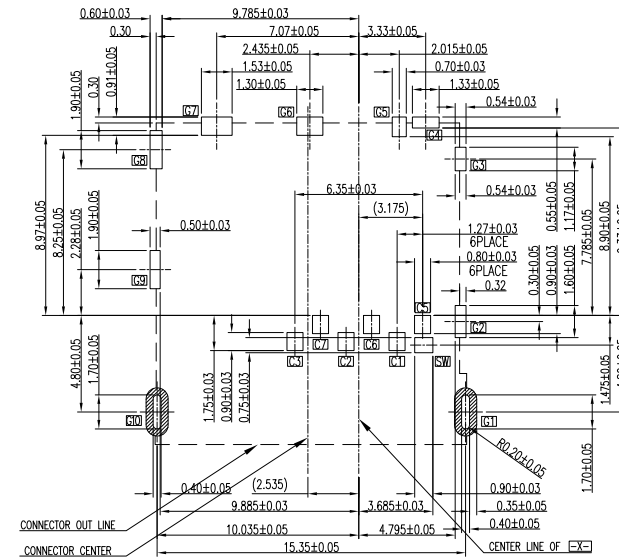


Recommended PCB Layout
(General tolerance: ±0.05)



RoHS Compliant

TOLERANCES ARE

MORETHANALL
PCB CONNECTORS
Cable ASSEMBLIES

DRAWING BY CY

X ± 0.50

CHECKED BY GENIUS

.X ± 0.30

UNIT / mm

SCALE 1 : 1

.XXX ±

DATE

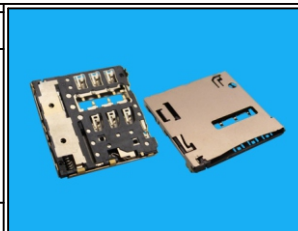
ANG ±

煜倫股份有限公司

www.morethanall.com

SIZE A4

PJECTION



ORDER INFORMATION

MISCP-W0112MA-06-LF

SERIES

90°SMT

LEADFREE
06WAY
SWITCH CLOSED
METAL FOOT
HIGH 1.27mm
PAD TO PAD 1.10mm

DESCRIPTION: MICRO SIM H:1.27mm