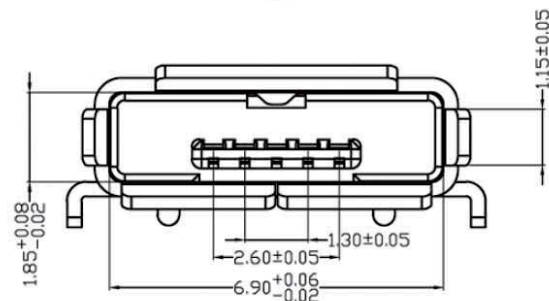
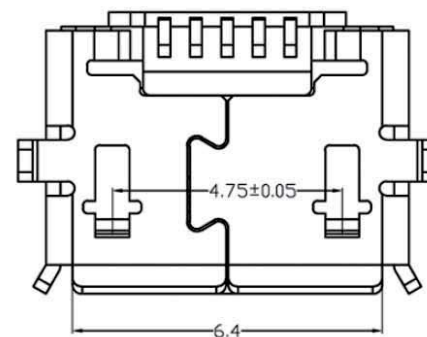
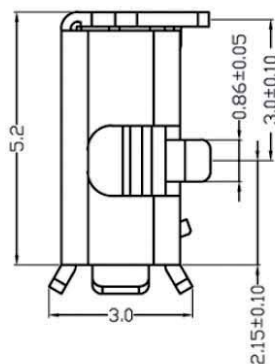
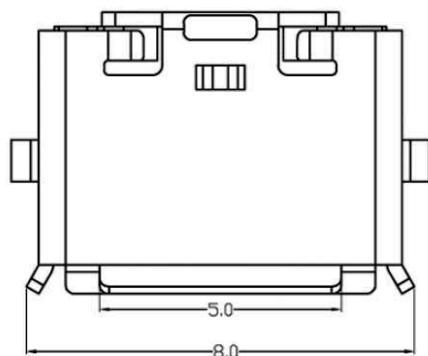


PCB LAYOUT



Note:

1.Material:

- 1.1 Housing: High temperature thermoplastic with g.f,UL94v-0
- 1.2 Contact: copper alloy,t=0.15mm
- 1.3 Shell: copper alloy&SUS

2.Specification:

- 2.1 Current rating: 1 A Max.
- 2.2 Dielectric withstanding voltage: 100 V(ac) for 1 min.
- 2.3 Contact resistance: 30 mΩ Max.
- 2.4 Insulation resistance: 100 MΩ Min.
- 2.5 Total mating force: 3.57 Kgf Max.
- 2.6 Total unmating force: 1.0 Kgf Min.0.81~2.05 Kgf Min.after 10000 insertion/extraction cycles
- 2.7 Temperature range: -30°C~80°C

RoHS Compliant

TOLERANCES ARE



煜倫股份有限公司

www.morethanall.com

DRAWING BY CY

CHECKED BY GENIUS

UNIT / mm

SCALE 1 : 1

DATE

SIZE A4

X, ±
.X ± 0.25
.XX ± 0.15
.XXX ± 0.05
ANG ±

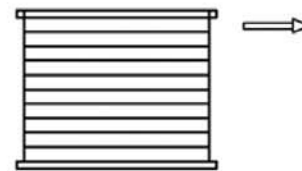
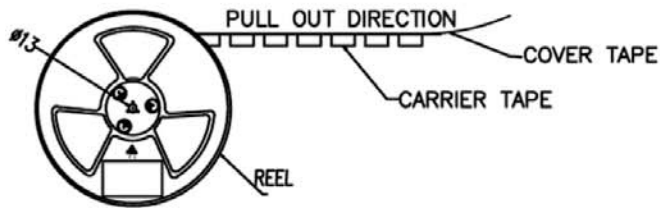
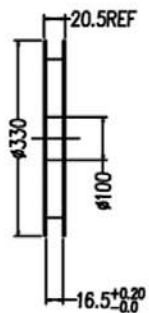
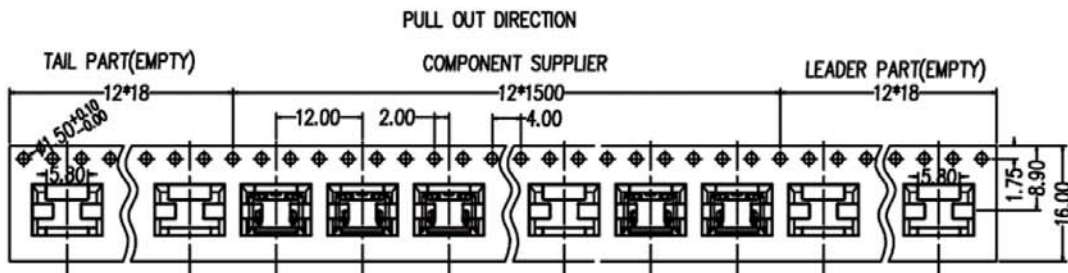
PJECTION



ORDER INFORMATION

MISB-SWRVMM84R-5AB-LF
SERIES | | | | | LEADFREE
FEMALE | | | | | REEL
90°SMT | | | | | FOOT WIDTH 8.35mm
REVERSED | | | | | METAL FOOT / 2

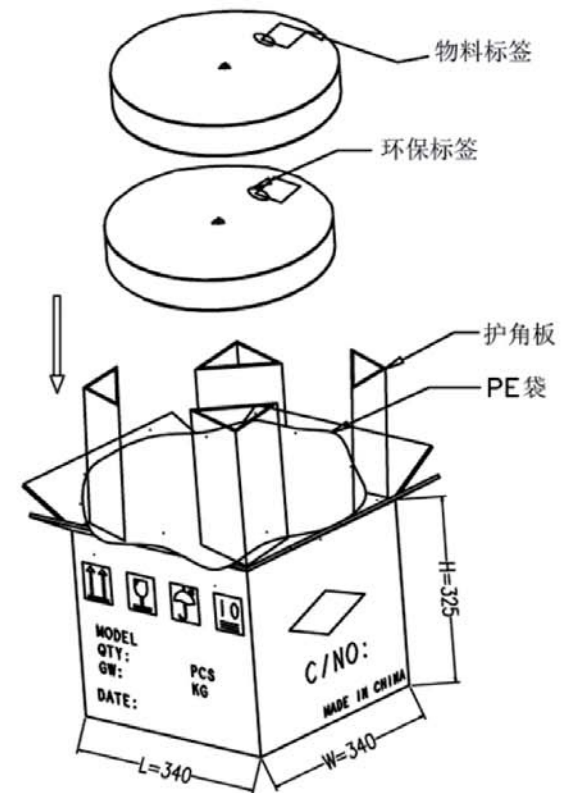
DESCRIPTION: MICRO USB2.0 5P 反向SMT AB TYPE 牛角型



每15卷装入一箱, 计22500PCS/箱.



USER DIRECTION OF FEED



备注:

- 1、物料: CARRIER TAPE: POLYSTYREN (PS); COVER TAPE: POLYSTYREN (PS); REEL: POLYSTYREN (PS)
- 2、包装数量: 1500PCS/REEL, 15REEL/CARTON, 共 22500PCS/CARTON
- 3、剥离力: 0.3N~1N (跳动量在0.3N内); 剥离角度: 165°~175°; 剥离速度: 250~300mm/min
- 4、包装方式: CARRY TAPE 前部分与尾部分各留出216mm 长度 (即18个空格) 不装产品

RoHS Compliant

TOLERANCES ARE

MORETHANALL
PCB CONNECTORS
Cable ASSEMBLIES

煜倫股份有限公司

www.morethanall.com

DRAWING BY CY

CHECKED BY GENIUS

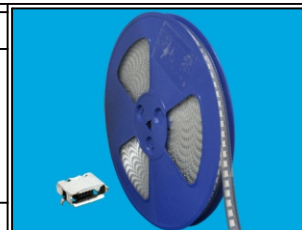
UNIT / mm SCALE 1 : 1

DATE

SIZE A4

PJECTION

X, ±
.X ± 0.25
.XX ± 0.15
.XXX ± 0.05
ANG ±



ORDER INFORMATION

MISB-SWRVMM84R-5AB-LF
SERIES | | | | | LEADFREE
FEMALE | | | | | REEL 5 PIN AB TYPE
90°SMT | | | | | METAL FOOT / 2
REVERSED

DESCRIPTION: MICRO USB2.0 5P 反向SMT AB TYPE 牛角型