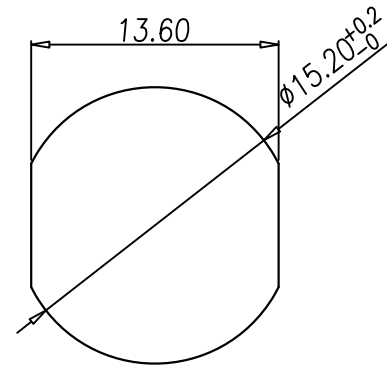
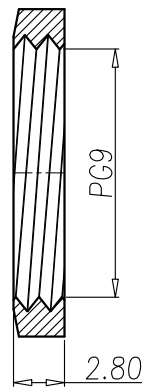


NUT



RECOMMEND PANEL CUT-OUT

1. MATERIAL :
 - 1-1. HOUSING : PBT UL94V-0 ; COLOR : BLACK
 - 1-2. CONTACT : BRASS
 - 1-3. SHELL : BRASS
 - 1-4. NUT : BRASS
 - 1-5. O-RING : EPDM ; COLOR : BLACK.
2. FINISH :
 - 2-1. CONTACT : SEE TABLE A
 - 2-2. SHELL : NICKEL PLATED.
 - 2-2. NUT : NICKEL PLATED.
3. ELECTRICAL SPECIFICATION :
 - 3-1. Rated current : 2A
 - 3-2. Rated Voltage : 30V
 - 3-3. Water proof : IP67
4. Environmental :
 - 4-1. Operation Temperature : -40℃~85℃

RoHS Compliant

TOLERANCES ARE

MORETHANALL
PCB CONNECTORS
Cable ASSEMBLIES

煜倫股份有限公司

www.morethanall.com

DRAWING BY CY

CHECKED BY GENIUS

UNIT / mm SCALE 1 : 1

DATE

SIZE A4

X, ±
.X ± 0.10
.XX ± 0.05
.XXX ± 0.03
ANG ± 1°

P PROJECTION



ORDER INFORMATION

M12-SSPANO15-08-LF
SERIES | | | | | LEADFREE
| | | | | 08WAY
| | | | | 15.2 DIA
FEMALE | RING
SOLDER | NUT
PANEL FRONT

DESCRIPTION: WP M12 (F) 板端後鎖PG9洗雙邊焊線式