

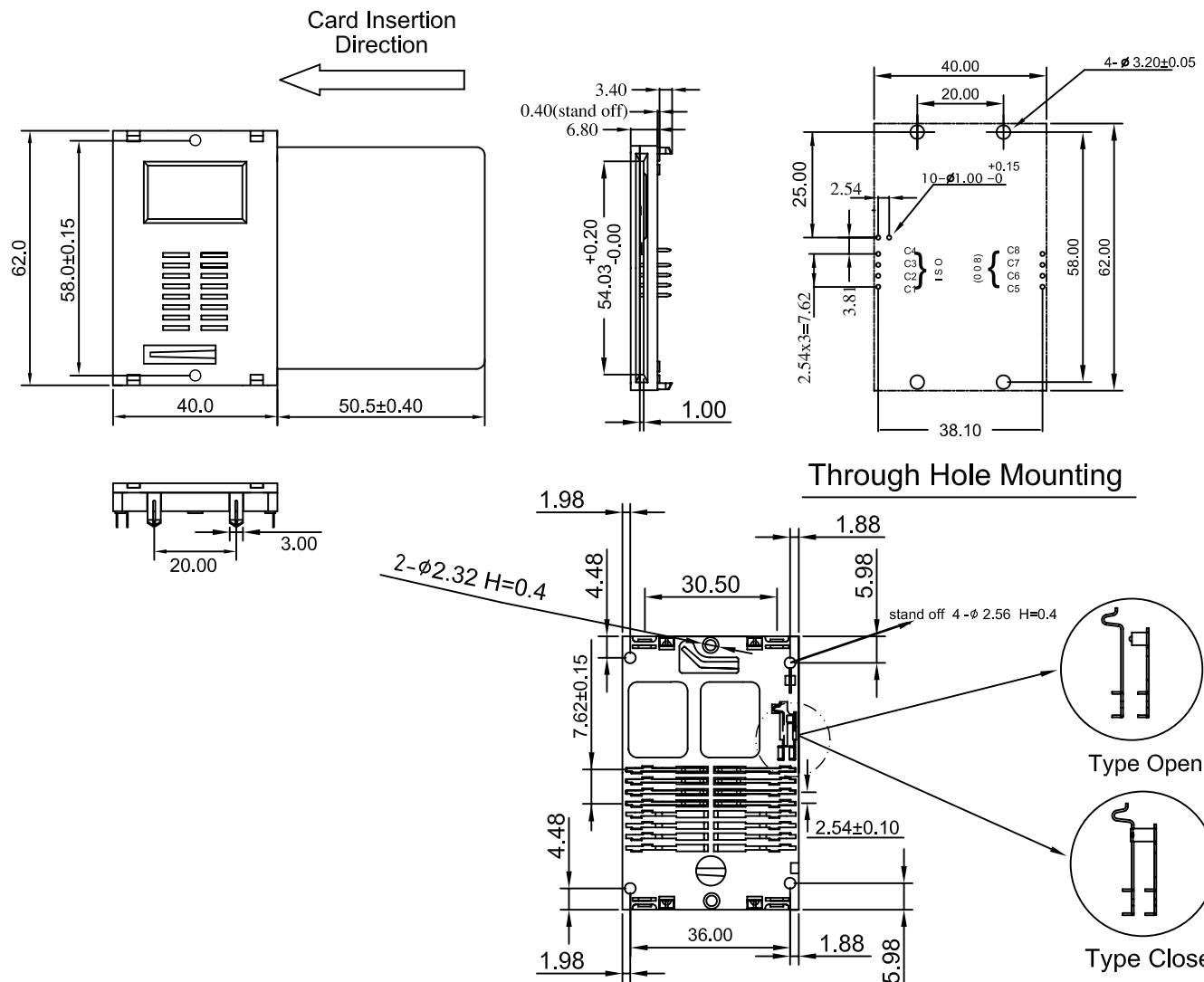
Series Smart Card Connector (V3 Type)

SPECIFICATION:

- 1.Contact Material: Phosphor Bronze(SPOON)
- 2.Insulator Material: P.B.T, UL 94V-0
- 3.Terminal Plating: Sn on nickel
- 4.Switch Contact Plating: Gold(30micro Inch)On Nickel
- 5.Current rating: 1A DC MAX
- 6.Insulation resistance: 1000 Megohms MIN
- 7.Contact resistance: 100 milliohms MAX
- 8.Withstand voltage: AC 1000V RMS (1MIN)
- 9.Rated voltage: 50V DC Max
- 10.Temperature Range: -40°C~+60°C
- 11.Card Insertion Force: 511g MAX
- 12.Card Withdrawal Force: 102g MIN
- 13.Insertion Cycles: 100000 cycles MIN

Note:

- 1.Card Insertion Specification :
 - A.Card Insertion Depth 35.3mm
 - B.Card Thickness = 0.7 ~ 0.8mm



MORETHANALL
PCB CONNECTORS
Cable ASSEMBLIES
煜倫股份有限公司

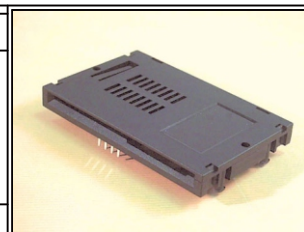
www.morethanall.com

RoHS Compliant

DRAWING BY CY
CHECKED BY GENIUS
UNIT / mm SCALE 1 : 1
DATE
SIZE A4 PPROJECTION

TOLERANCES ARE

X, ±
.X ±
.XX ±
.XXX ±
ANG ±



ORDER INFORMATION

SCF-R68x-08-LF
SERIES | LEADFREE
| 08 WAY
| A: CLOSED/SWITCH
| B: OPEN/SWITCH
| HIGH 6.8mm
DIP 90°

DESCRIPTION: Series Smart Card Connector (V3 Type) Open & Close