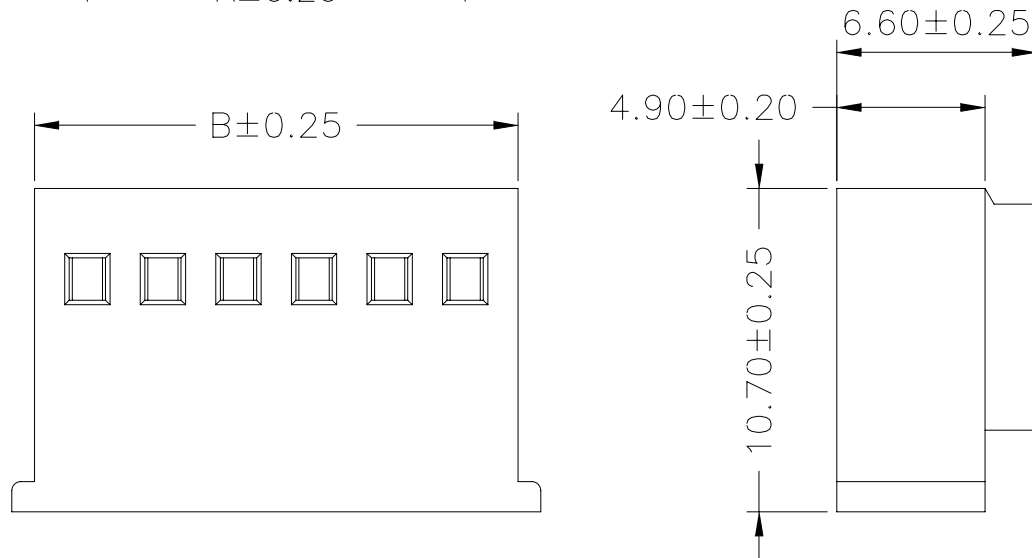
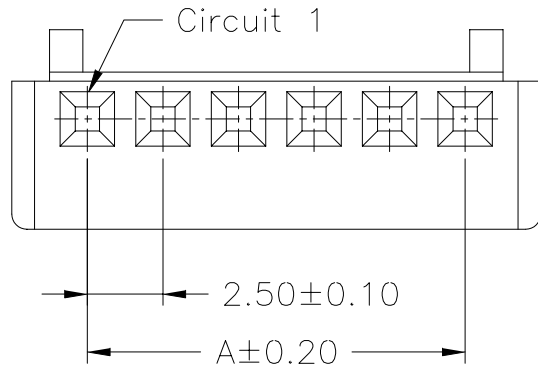
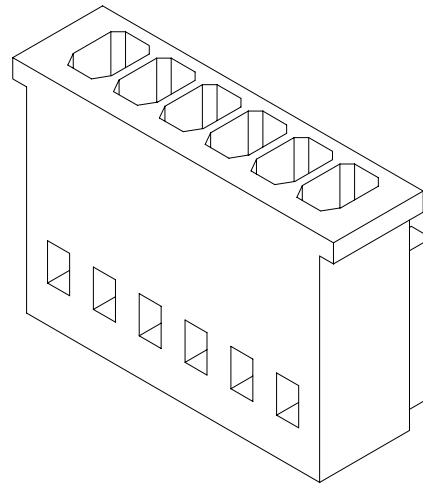


SPECIFICATIONS

Current Rating: 3A AC,DC
 Voltage Rating: 250V AC,DC
 Temperature Range: -25°C ~ +85°C
 Contact Resistance: 20mΩ Max
 Insulation Resistance: 1000MΩ Min
 Withstanding Voltage: 1000V AC/minute
 Material: Nylon 66,UL94V-0

Ordering Information & Dimensions

PART NO.	Dimensions	
	A	B
MS-H-02	2.50	6.00
MS-H-03	5.00	8.50
MS-H-04	7.50	11.00
MS-H-05	10.00	13.50
MS-H-06	12.50	16.00
MS-H-07	15.00	18.50
MS-H-08	17.50	21.00
MS-H-09	20.00	23.50
MS-H-10	22.50	26.00
MS-H-11	25.00	28.50
MS-H-12	27.50	31.00
MS-H-13	30.00	33.50
MS-H-14	32.50	36.00
MS-H-15	35.00	38.50
MS-H-16	37.50	41.00
MS-H-17	40.00	43.50
MS-H-18	42.50	46.00
MS-H-19	45.00	48.50
MS-H-20	47.50	51.00



RoHS Compliant

TOLERANCES ARE

MORETHANALL
 PCB CONNECTORS
 Cable ASSEMBLIES

DRAWING BY CY

CHECKED BY GENIUS

UNIT / mm

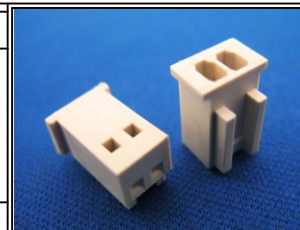
SCALE 1:1

DATE

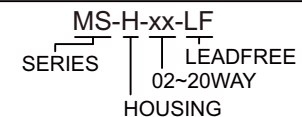
SIZE A4

PPOJECTION

X, ±
 .X ±
 .XX ±
 .XXX ±
 ANG ±



ORDER INFORMATION



DESCRIPTION: 2.50mm PITCH HOUSING-RECEPTACLE

煜倫股份有限公司

www.morethanall.com