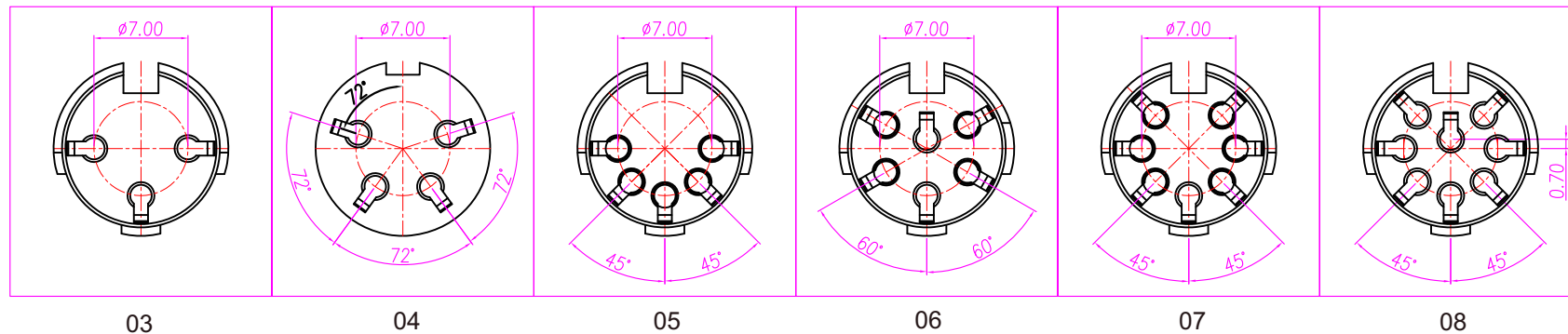


1. MATERIAL :
- 1-1. HOUSING : NYLON UL94V-0 ; COLOR : BLACK
 - 1-2. CONTACT : PHOSPHOR BRONZE
 - 1-3. MAIN BODY : ZINC ALLOY
 - 1-4. LOCK SHELL : BRASS
 - 1-5. SPRING : STAINLESS
 - 1-6. ISOLATION : PVC
 - 1-7. CLAMPS : ZINC ALLOY
 - 1-8. CLAMPS BODY : ZINC ALLOY
 - 1-9. SCREW : BRASS
 - 1-10. BACK BODY : BRASS
 - 1-11. O-RING 1 : EPDM ; COLOR : BLACK
 - 1-12. GLAND : SILICONE COLOR : BLACK
 - 1-13. GLAND CAGE : POM ; COLOR : WHITE
 - 1-14. GLAND NUT : ALUMINUM ALLOY
 - 1-15. O-RING 2 : SILICONE ; COLOR : BLACK
2. FINISH :
- 2-1. CONTACT : CONTACT AREA : GOLD FLASH PLATING
SOLDER AREA : TIN
UNDER PLATE : NICKEL
 - 2-2. MAIN BODY : NICKEL PLATED
 - 2-3. LOCK SHELL : NICKEL PLATED
 - 2-4. CLAMPS : NICKEL PLATED
 - 2-5. CLAMPS BODY : NICKEL PLATED
 - 2-6. SCREW : NICKEL PLATED
 - 2-7. BACK BODY : NICKEL PLATED
 - 2-8. GLAND NUT : SATING NICKEL PLATED
3. ELECTRICAL SPECIFICATION :
- 3-1. Rated current : 5A
 - 3-2. Rated Voltage : 250V
 - 3-3. Water proof : IPX7
4. Environmental :
- 4-1. Operation Temperature : -20 ℃~85℃



MORETHANALL
PCB CONNECTORS
Cable ASSEMBLIES
煜倫股份有限公司

www.morethanall.com

RoHS Compliant

DRAWING BY CY

CHECKED BY GENIUS

UNIT / mm SCALE 1 : 1

DATE

SIZE A4

TOLERANCES ARE

X, ±
.X ± 0.20
.XX ± 0.10
.XXX ± 0.05
ANG ± 1°

PJECTION



ORDER INFORMATION

DAMS-JAFM-xx-LF

SERIES

LEADFREE

03~08WAY

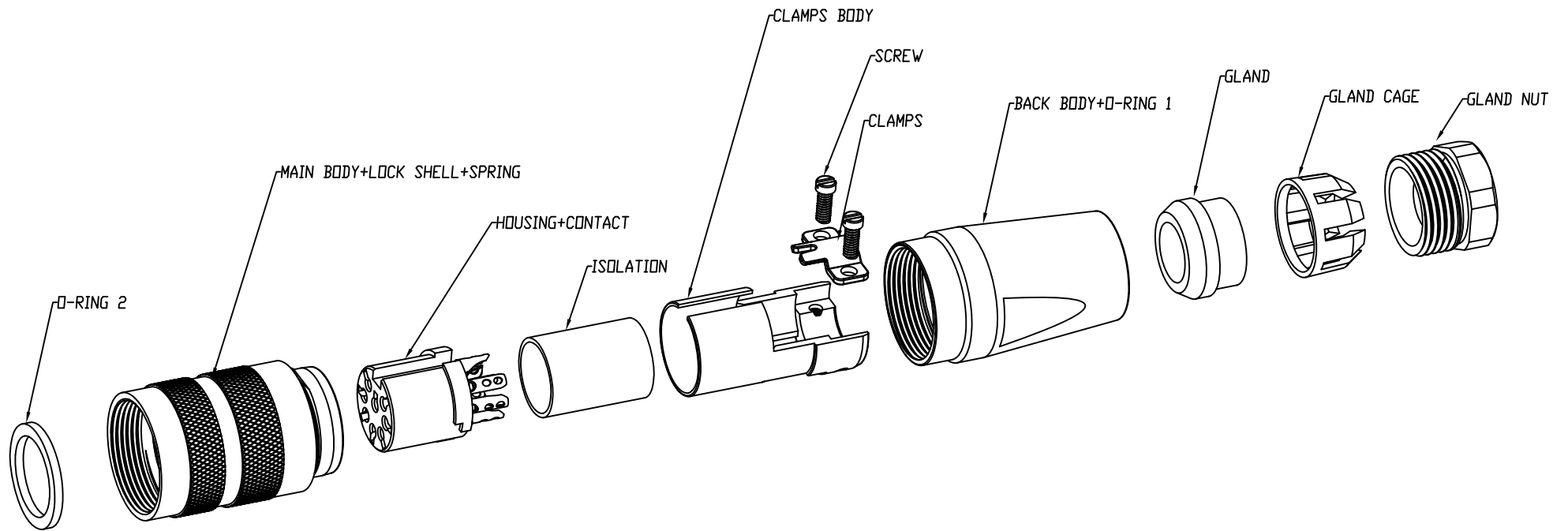
FULL METAL

ASSEMBLY

FEMALE

DESCRIPTION: DIN (F) 3PIN Assembly type

ASSEMBLY INSTRUCTION



RoHS Compliant

TOLERANCES ARE

MORETHANALL
PCB CONNECTORS
Cable ASSEMBLIES

DRAWING BY CY

CHECKED BY GENIUS

UNIT / mm

SCALE 1 : 1

DATE

SIZE A4

X, ±
.X ± 0.20
.XX ± 0.10
.XXX ± 0.05
ANG ± 1°

PJECTION



ORDER INFORMATION

DAMS-JAFM-xx-LF

SERIES

LEADFREE

03~08WAY

FULL METAL

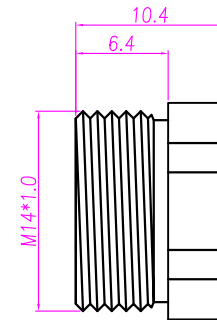
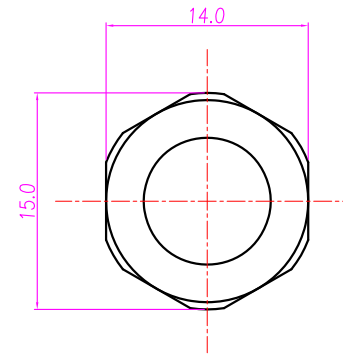
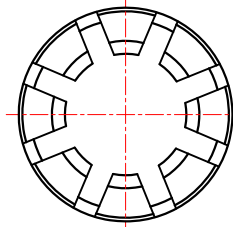
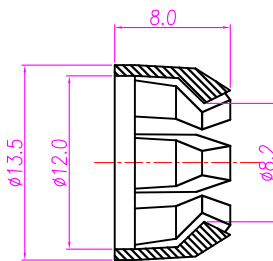
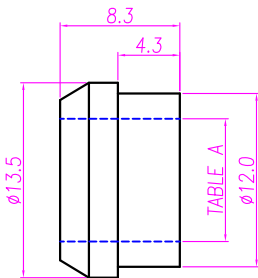
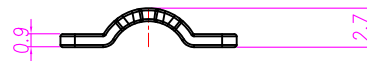
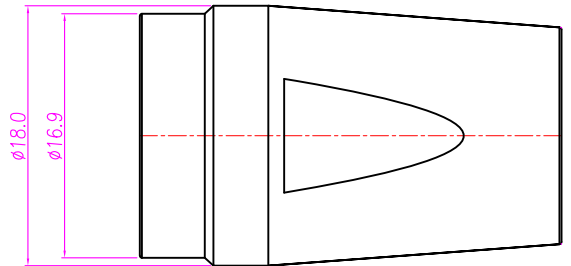
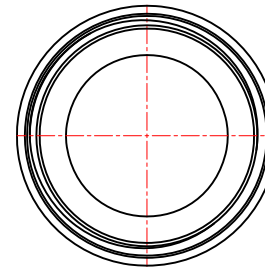
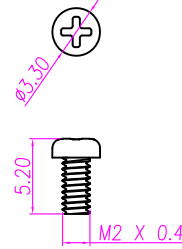
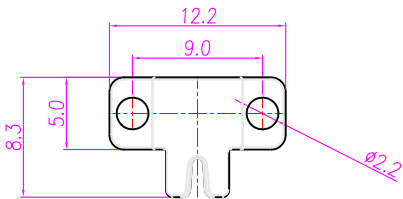
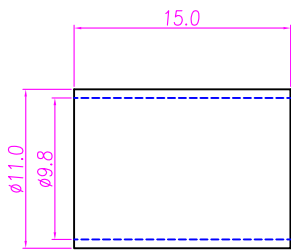
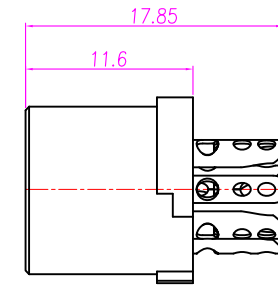
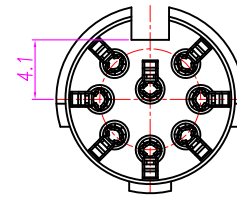
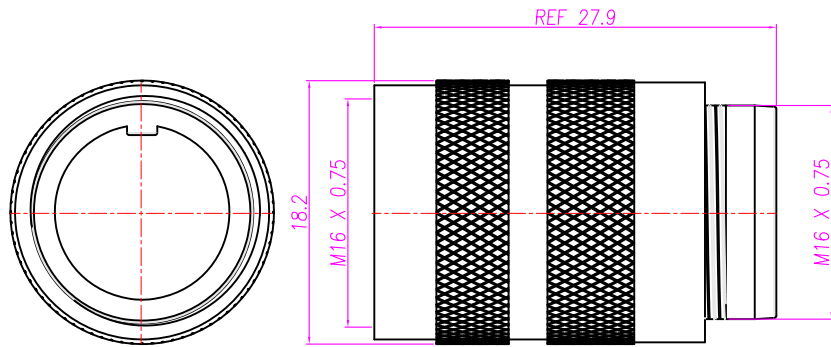
ASSEMBLY

FEMALE

煜倫股份有限公司

www.morethanall.com

DESCRIPTION: DIN (F) 3PIN Assembly type



RoHS Compliant

TOLERANCES ARE

MORETHANALL
PCB CONNECTORS
Cable ASSEMBLIES

DRAWING BY CY

CHECKED BY GENIUS

UNIT / mm

SCALE 1 : 1

DATE

SIZE A4

X, ±
.X ± 0.20
.XX ± 0.10
.XXX ± 0.05
ANG ± 1°

PJECTION



ORDER INFORMATION

DAMS-JAFM-xx-LF

SERIES | LEADFREE
03~08WAY
FULL METAL
ASSEMBLY
FEMALE

DESCRIPTION: DIN (F) 3PIN Assembly type

煜倫股份有限公司

www.morethanall.com