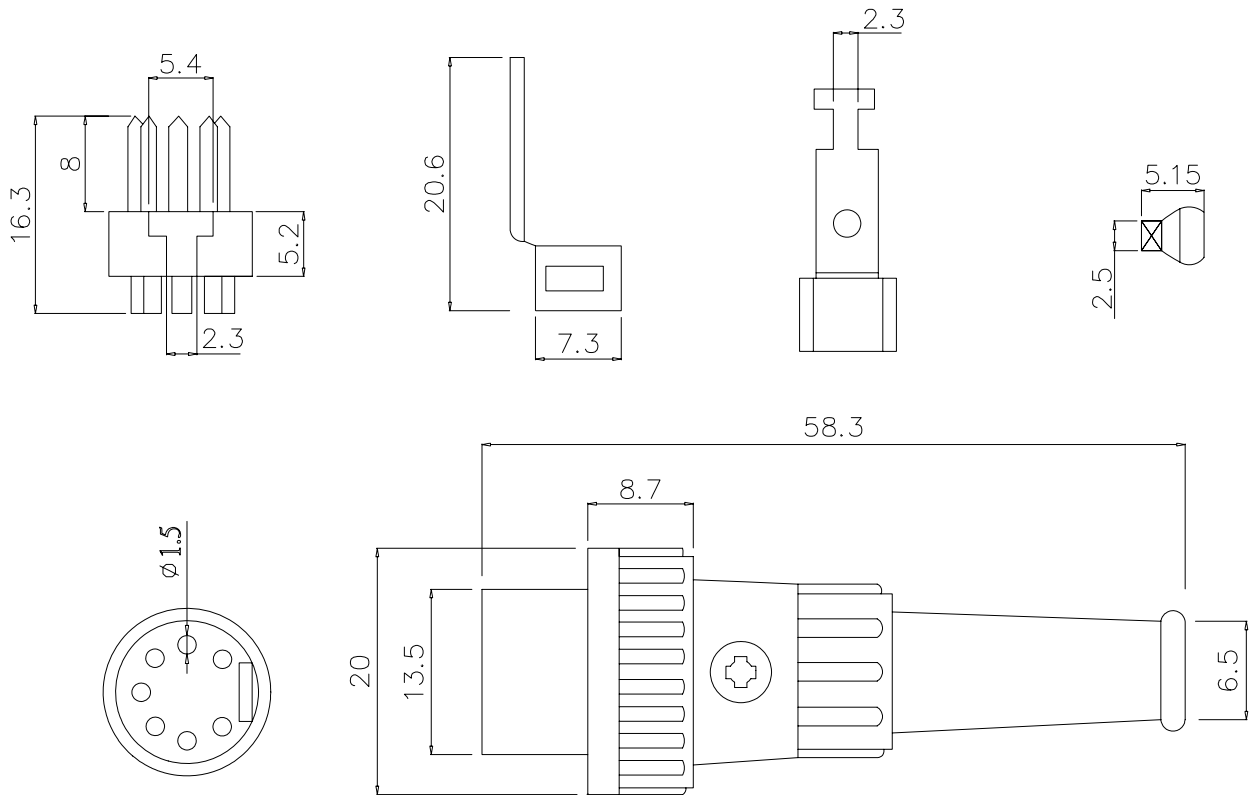


3P	4P	5P 180°	5P 240°	5P 360°	6P	7P	8P 270°	8P 262°
DASM-PA-03	DASM-PA-04	DASM-PA-05	DASM-PA-05B	DASM-PA-05C	DASM-PA-06	DASM-PA-07	DASM-PA-08	DASM-PA-08B



MATERIAL:
 1.PIN:BRONZE SILVER PLATED
 2.HOUSING: ABS
 3.TERMINAL: STEEL NICKEL PLATED
 4.SHELL BODY: ZINC NICKEL
 5.BOOT: PVC

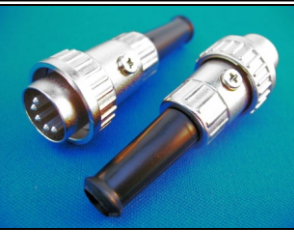
SPECIFICATION
 Rating:100V AC 1A max.
 Contact Resistance:
 Pins 30m OHM max.
 Shell 50m OHM max.
 Insulation Resistance
 100M OHM at 500V DC min.
 Voltage Withstand:
 250V AC for 1 minute

RoHS Compliant

TOLERANCES ARE

MORETHANALL
 PCB CONNECTORS
 Cable ASSEMBLIES
 煜倫股份有限公司
 www.morethanall.com

DRAWING BY CY		X.± .X± .XX± .XXX± ANG±
CHECKED BY GENIUS		
UNIT / mm	SCALE 1 : 1	
DATE		
SIZE A4	PJECTION	



ORDER INFORMATION

DASM-PA-xx-LF
 SERIES | T LEADFREE
 | 03-08 WAY
 ASSEMBLY
 MALE

DESCRIPTION: