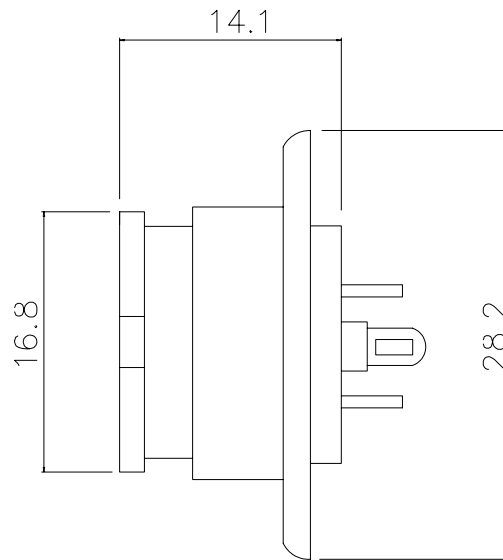
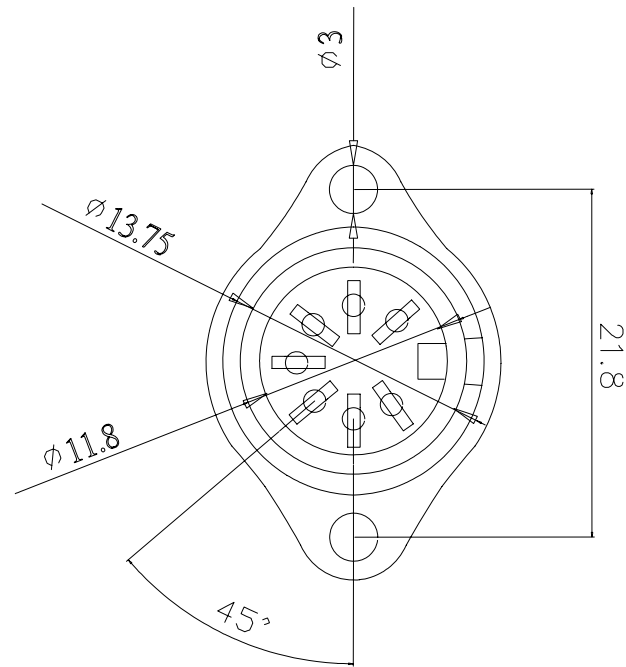


| | | | | | | | | |
|------------|------------|------------|-------------|-------------|------------|------------|------------|-------------|
| | | | | | | | | |
| 3P | 4P | 5P 180° | 5P 240° | 5P 360° | 6P | 7P | 8P 270° | 8P 262° |
| DASM-JS-03 | DASM-JS-04 | DASM-JS-05 | DASM-JS-05B | DASM-JS-05C | DASM-JS-06 | DASM-JS-07 | DASM-JS-08 | DASM-JS-08B |



MATERIAL

SHELL: ZINC NICKEL PLATED

PIN: BRONZE, SILVER PLATED

HOUSING: BAKELITE.

GROUND PIN: BRONZE NICKEL PLATED.

SPECIFICATION

Rating: 100V AC 1A max.

Contact Resistance:

Pins 30m OHM max.

Shell 50m OHM max.

Insulation Resistance

100M OHM at 500V DC min.

Voltage Withstand:

250V AC for 1 minute

RoHS Compliant

TOLERANCES ARE

MORETHANALL
PCB CONNECTORS
Cable ASSEMBLIES

DRAWING BY CY

CHECKED BY GENIUS

UNIT / mm SCALE 1:1

DATE

SIZE A4

X, ±

.X ±

.XX ±

.XXX ±

ANG ±

P PROJECTION



ORDER INFORMATION

DASM-JS-xx-LF

SERIES | LEADFREE
03-08 WAY
SOLDER
FEMALE

煜倫股份有限公司

www.morethanall.com

DESCRIPTION: