

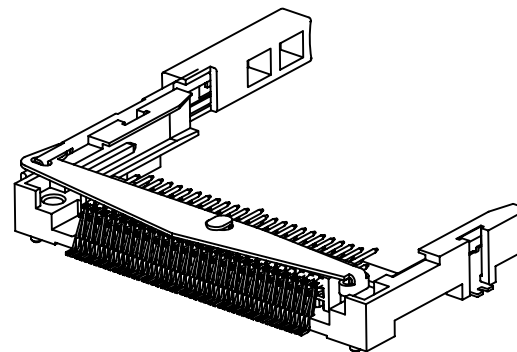
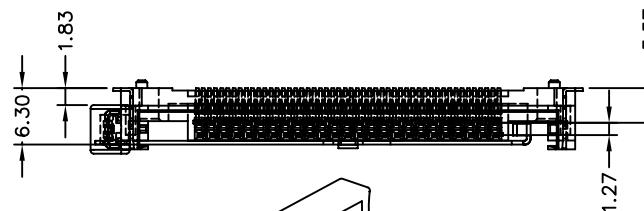
NOTE:

A. Material:

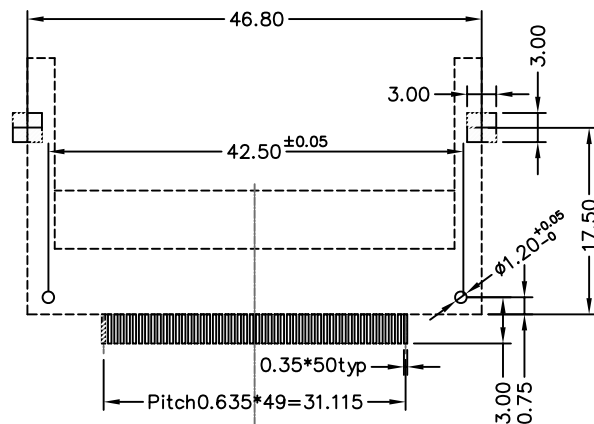
1. Housing : LCP 30% G.F. , UL94-V0 rated
2. Contact : Copper alpy
3. Pad : Brass
4. Rotating arm : Stainless steel t=0.40
5. Push bar : Stainless steel t=0.30
6. Button : PBT 30% G.F. , UL94-V0 rated

B. Plating

1. Contact : Underplating 50u" min Nickel,
Contant area 15u" AU over Nickel plated.
Solder tail 100u" min Sn/Pb over Nickel plated.
2. Ped : 100u" min Sn/Pb over 50u" min Nickel plated.



Right hand push+Button



PCB Layout

Dimension L

Pin type	Circuit No.	Dimensions mm
Detect	1,13,38,50	5.0 ± 0.1
General	2 to 12 , 14 to 24 27 to 37 , 39 to 49	4.25 ± 0.1
Power	25 , 26	3.5 ± 0.1

RoHS Compliant

TOLERANCES ARE

MORETHANALL
PCB CONNECTORS
Cable ASSEMBLIES

煜倫股份有限公司

www.morethanall.com

DRAWING BY CY

CHECKED BY GENIUS

UNIT / mm

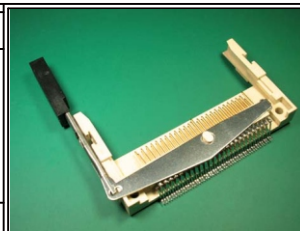
SCALE 1 : 1

DATE

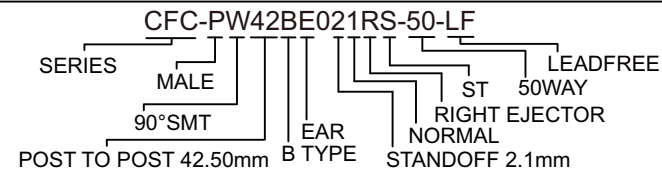
SIZE A4

PJECTION

X, ±
.X ± 0.125
.XX ± 0.050
.XXX ± 0.010
ANG ±



ORDER INFORMATION



DESCRIPTION: Compact Flash Card Socket SMT TYPE
(Standard type fit Type I & Type II CF Card) Stand Off : 2.1mm & POST L=42.5mm