

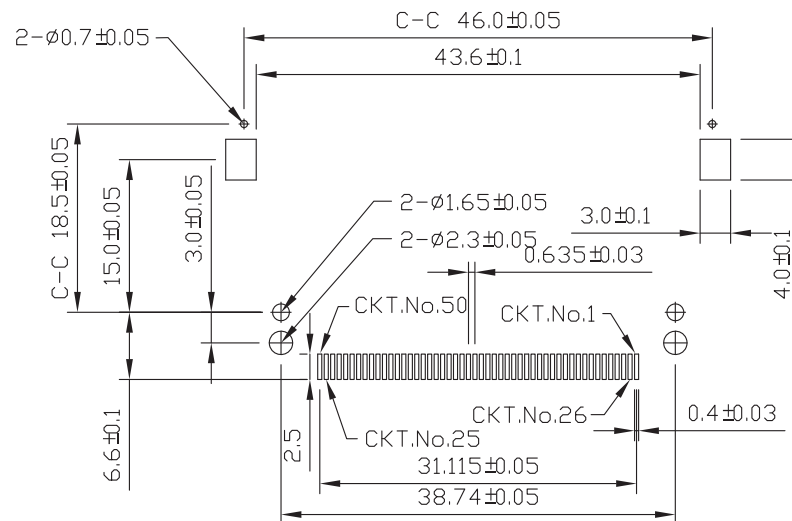
NOTES:

1.MATERIAL:

- 1.1 HOUSING:GLASS REINFORCED LCP UL94V-0
COLOR IVORY
- 1.2 CONTACT:BRASS ALLOY
- 1.3 MOUNT EAR:BRASS

2.FINISH:

- 2.1 CONTACT :GOLD PLATING ON CONTACT AREA,100u" TIN ON SOLDER TAIL,
WITH ENTIRE CONTACT 40u" NICKEL UNDER PLATED.
- 2.2 MOUNT EAR:100u" TIN PLATED OVERALL



RECOMMENDED P.C.B LAYOUT

RoHS Compliant

MORETHANALL
PCB CONNECTORS
Cable ASSEMBLIES

煜倫股份有限公司

www.morethanall.com

DRAWING BY CY

CHECKED BY GENIUS

UNIT/mm

SCALE 1:1

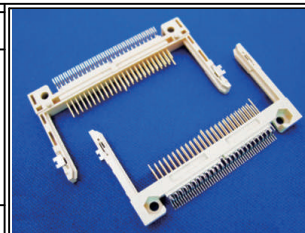
DATE

SIZE A4

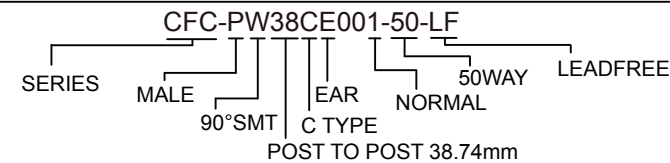
TOLERANCES ARE

- X. ±
- .X ±
- .XX ±
- .XXX ±
- ANG ±

PJECTION



ORDER INFORMATION



DESCRIPTION: CF(Compact Flash)STD H:4.0mm ,Post Range 38.74mm