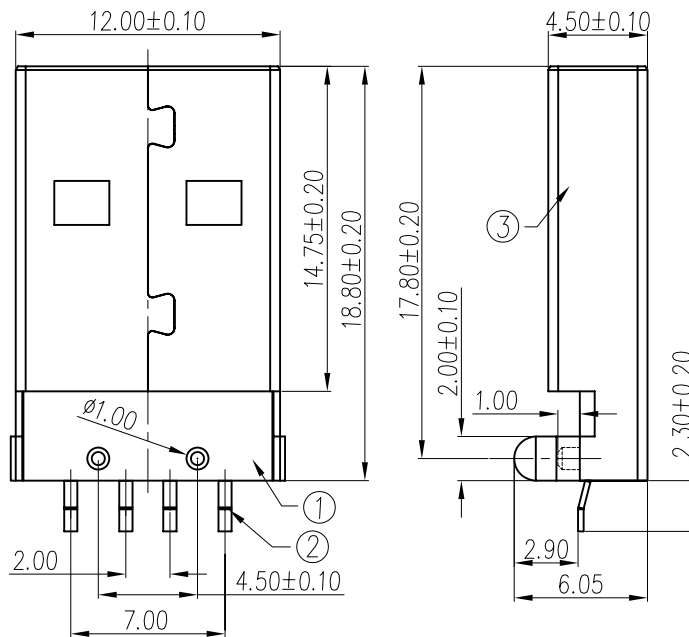
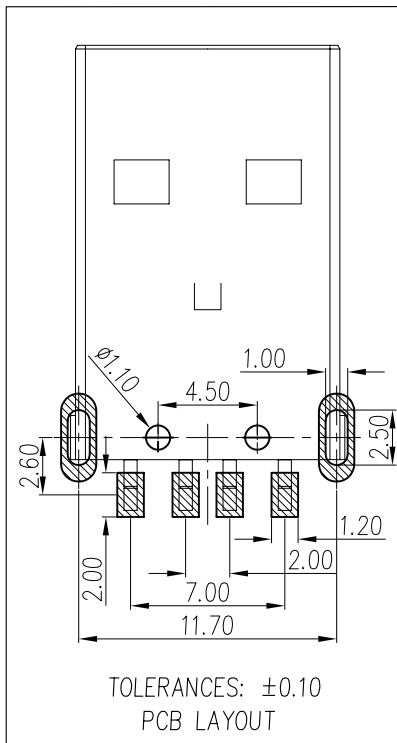


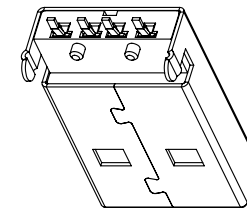
Note:

Specification:

1. Current rating: 1 A Max.
2. Dielectric withstanding voltage: 30 V(ac) for 1 minute.
3. Contact resistance: 30 mΩ Max.
4. Insulation resistance: 1000 MΩ Min at DC 500V.
5. Temperature range: -55°C~+105°C.



3	Shell	1	Cold rolled steel	T=0.30mm	Cu: 40u"min. 80~120u"Nickel Plated
2	Contact	4	Brass	T=0.25mm	Contact area: 0.8~1.2u"Gold Plated over 40u"Nickel min. Solder area: 80~120u"Tin Plated over 40u"Nickel min.
1	Housing	1	PA6T	UL 94-V0	White
No.	Name	Q'ty	Material	Remark & Thickness	Finish



RoHS Compliant

TOLERANCES ARE

MORETHANALL
PCB CONNECTORS
Cable ASSEMBLIES

DRAWING BY CY

CHECKED BY GENIUS

UNIT / mm SCALE 1 : 1

DATE

SIZE A4

X, ±
.X ± 0.30
.XX ± 0.20
.XXX ± 0.10
ANG ±

P PROJECTION



ORDER INFORMATION

USB-PWWH-4A-LF
SERIES | LEADFREE
WHITE
90°SMT
MALE
4 PIN A TYPE

DESCRIPTION: USB-A(M) S.M.T(彎腳Ø1.0*1.0)

煜倫股份有限公司

www.morethanall.com