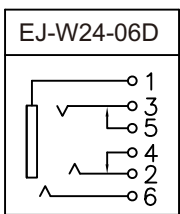
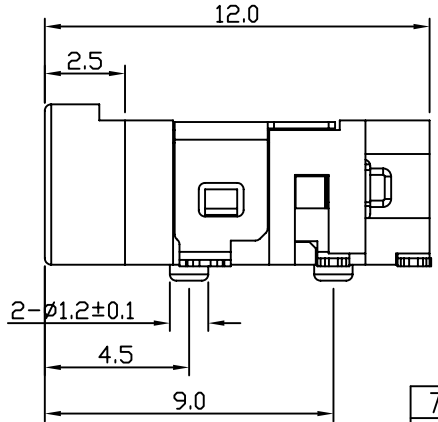
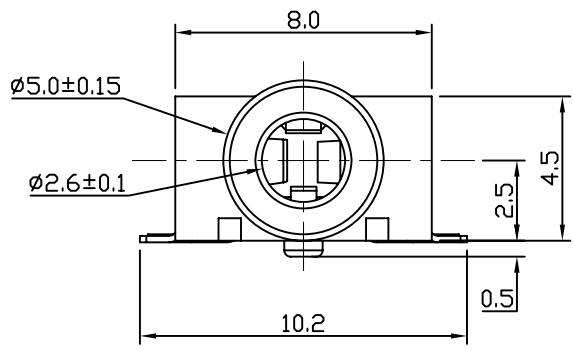


T:1.6 Dimensions of PC board holes
Tolerance : ±0.05(Printed-top view)

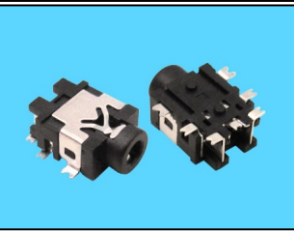


7	HOUSING	1	PA9T		UL-94V0(BLACK)
6	TERMINAL 6#	1	C5191	t=0.20	Ag PLATED
5	TERMINAL 5#	1	C2680	t=0.25	Ag PLATED
4	TERMINAL 4#	1	C2680	t=0.25	Ag PLATED
3	TERMINAL 3#	1	C5191	t=0.25	Ag PLATED
2	TERMINAL 2#	1	C5191	t=0.25	Ag PLATED
1	TERMINAL 1#	1	C5191	t=0.25	Ag PLATED
LTR	PART NAME	QTY	MATERIAL		REMARK

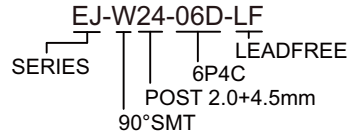
UNLESS OTHERWISE SPECIFIED, TOLERANCE ON DECIMAL:±0.2

RoHS Compliant

TOLERANCES ARE
X.±
.X±
.XX±
.XXX±
ANG±



ORDER INFORMATION



DESCRIPTION:MINIATURE JACK

MORETHANALL
PCB CONNECTORS
Cable ASSEMBLIES

煜倫股份有限公司

www.morethanall.com

DRAWING BY CY

CHECKED BY GENIUS

UNIT / mm SCALE 1 : 1

DATE

SIZE A4

PJECTION