

Technical Data:

Material:

- Contact(metal housing): Brass (CuZn)
- Terminal screw: Steel galvanized and chromitize or Nickel plated or Tin pltd(standard)(optian)
- Wire guard: Stainless steel
- Surface of solder tail: tin plated
- Insulator body(housing): Polyamide(Glass filled)(UL94V-0)

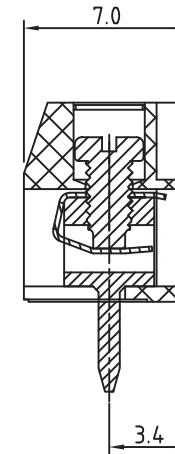
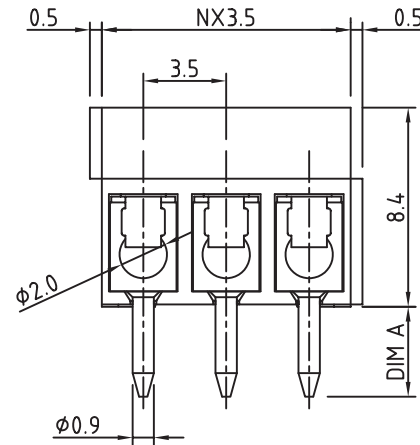
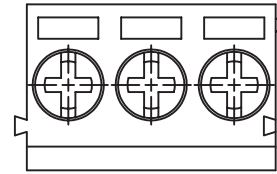
Electrical

- Voltage rating: 125VAC
- Current rating: 10 Amps/way max
- Contact resistance: 20mΩ(max)
- Insulation resistance: 5000MΩ/1000V
- Withsanding Voltage: 1500VAC(lmim) Test time=60sec/1pcs
- Wire range: 16-26AWG

Mechanical:

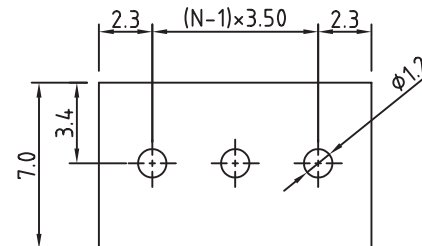
- Torque: 1.5kgf.cm/M2
- Operating temperature: -33°C to +120°C
- Soldering ability: 95%coverage(min)
Test temperature= 230°C±10°C
Test time= 4sec±0.5sec
- Soldring reliability:
Test temperature= 250°C±10°C
5 seconds max

Safety approval data:  



N=Number of contacts

P.C.B. LAYOUT



DIM A Length

Code	DIM A
0	4.1mm
1	3.8mm
2	3.5mm

RoHS Compliant

TOLERANCES ARE

MORETHANALL
PCB CONNECTORS
Cable ASSEMBLIES

煜倫股份有限公司

www.morethanall.com

DRAWING BY CY

CHECKED BY GENIUS

UNIT/ mm SCALE 1:1

DATE

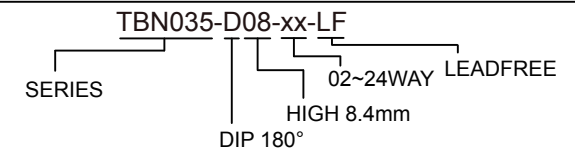
SIZE A4

X. ±
.X ±
.XX ±
.XXX ±
ANG ±

P PROJECTION 



ORDER INFORMATION



DESCRIPTION: