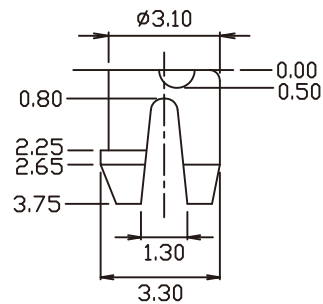
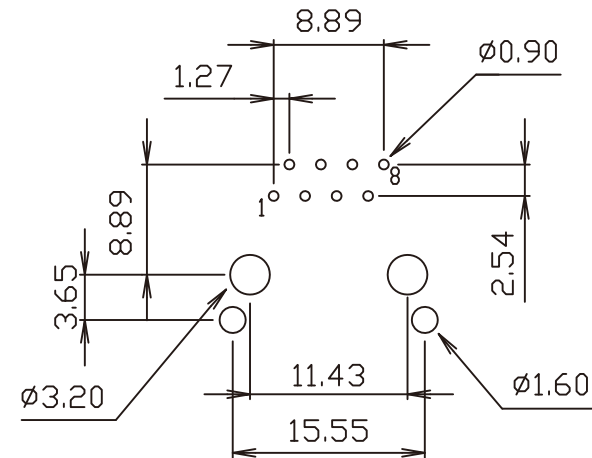


STAND OFF(H0.5mm)



DETAIL X

MATERIAL: • HOUSING-PBT POLYESTER UL94V-0
 MIXED GLASS FIBER.
 STANDARD COLOR-BLACK
 • CONTACTS-0.35mm THICK PHOS-BRONZE PLATED
 PLATED WITH 6u" HARD GOLD AND GOLD FLASH
 IN SOLDER AREA.
 • SHIELD-0.25mm THICK COPPER ALLOY,
 PLATED WITH NICKEL.
 CAVITY CONFIRMS TO FCC RULES AND REGULATIONS
 PART 68,SUBPART F.



PC Board Layout
 Ref.

RoHS Compliant

TOLERANCES ARE

MORETHANALL
 PCB CONNECTORS
 Cable ASSEMBLIES

煜倫股份有限公司

www.morethanall.com

DRAWING BY CY

CHECKED BY GENIUS

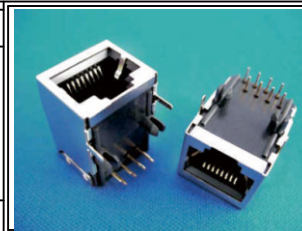
UNIT / mm SCALE 1 : 1

DATE

SIZE A4

P PROJECTION

X, ±
 .X ± 0.25
 .XX ± 0.13
 .XXX ± 0.05
 ANG ±



ORDER INFORMATION

MJF13-KX06A36-0808-LF

SERIES LEADFREE
 BLACK 06u" GOLD FRONT TAB 3.68mm
 NON EAR

DESCRIPTION: 8POSITION SHIELDED FLAT PIN SIDE ENTRY PCB JACK