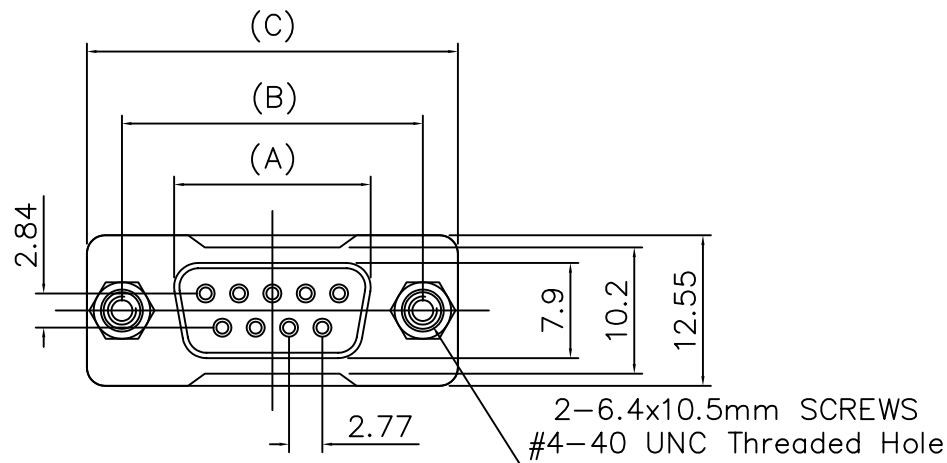


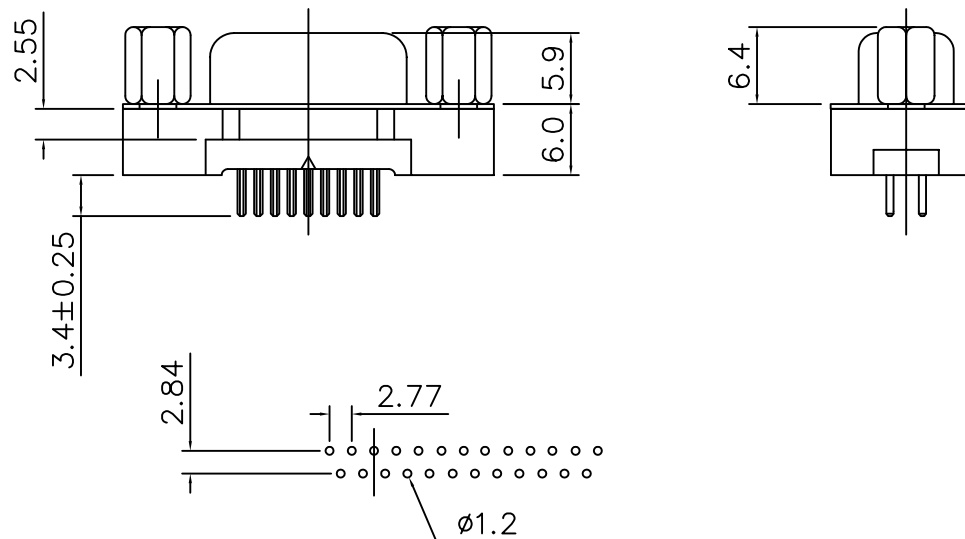
Specifications

Contact Resistance: 30 Ω max. at DC 100mA
 Insulator Resistance: 1000M Ω min. at DC 500V
 Current Rating: 5 AMP
 Dielectric Withstanding
 Voltage: AC 1000V For 1 minute
 Operating Temperature: -55°C ~ +105°C
 Contact: Brass
 Housing: PBT & 30% Glass Fiber (UL 94V-0)



Dimension

Positon	A	B	C
9	16.33	24.99	30.81
15	24.66	33.32	39.14
25	38.38	47.04	53.04
37	54.84	63.50	69.32



Recomended PCB Layout

RoHS Compliant

TOLERANCES ARE

MORETHANALL
 PCB CONNECTORS
 Cable ASSEMBLIES

DRAWING BY CY

CHECKED BY GENIUS

UNIT / mm

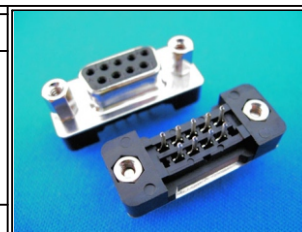
SCALE 1:1

DATE

SIZE A4

PJECTION

X. ±
 .X ± 0.20
 .XX ± 0.10
 .XXX ±
 ANG ±



ORDER INFORMATION

DDM-SNJ-xx-LF
 SERIES | | LEADFREE
 | | 09~37WAY
 | JACKSCRW
 | NUT
 | FEMALE

DESCRIPTION: D-SUB DIP STRAIGHT TYPE

煜倫股份有限公司

www.morethanall.com