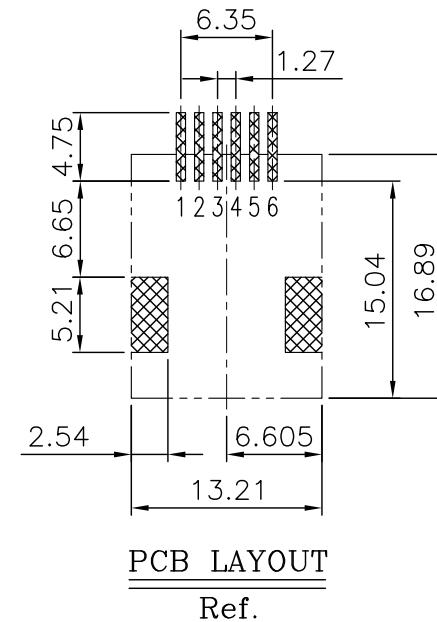


COPLANARITY SPECIFICATION:  
 WITH THE MODULAR JACK SITTING  
 ON A LEVEL SURFACE.  
 THE MAXIMUM GAP BETWEEN  
 THE LEVEL SURFACE AND ALL  
 TERMINAL TAILS AND BOTH FITTING  
 NAILS IS 0.10m/m

MATERIAL:

- HOUSING—PA9T GN2330  
 HEAT RESISTANT PLOYAMIDE RESIN  
 BLACK COLOR, UL94V-0  
 OR—DSM STANYL TE250F6 (NYLON-46)  
 HEAT DEFLECTION TEMP.290°  
 BLACK COLOR, UL94V-0.
- CONTACTS—0.35mm THICK PHOS-BRONZE  
 PLATED WITH HARD GOLD AND  
 GOLD FLASH IN SOLDER AREA.
- HOLD DOWN—0.30mm THICK COPPER ALLOY,  
 PLATED WITH TIN.

CAVITY CONFIRMS TO FCC RULES AND REGULATIONS  
 PART 68,SUBPART F.



RoHS Compliant

TOLERANCES ARE

**MORETHANALL**  
 PCB CONNECTORS  
 Cable ASSEMBLIES

DRAWING BY CY

X, ±  
 .X ± 0.25  
 .XX ± 0.13  
 .XXX ± 0.05  
 ANG ±

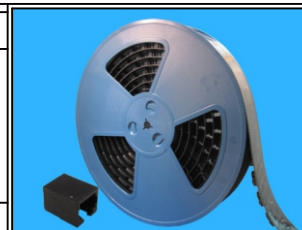
CHECKED BY GENIUS

UNIT / mm SCALE 1 : 1

DATE

SIZE A4

P PROJECTION



ORDER INFORMATION

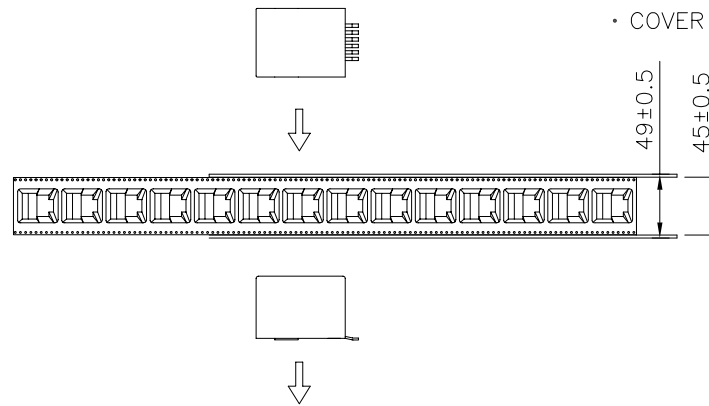
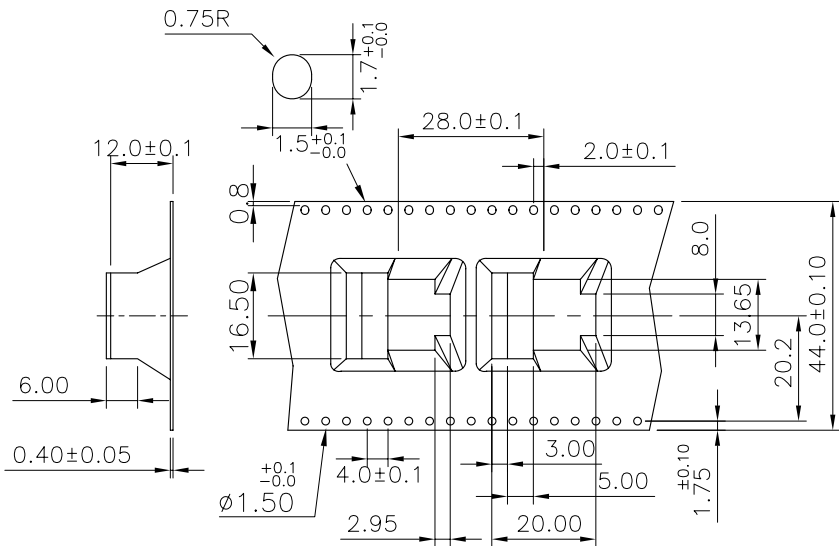
MJW11-KX06NR-0606-LF

SERIES REEL 6P6C LEADFREE  
 BLACK 06u GOLD NON POST  
 INNER EAR

DESCRIPTION: RJ11, SMT TYPE, SHIELDLESS SIDE ENTRY PCB JACK

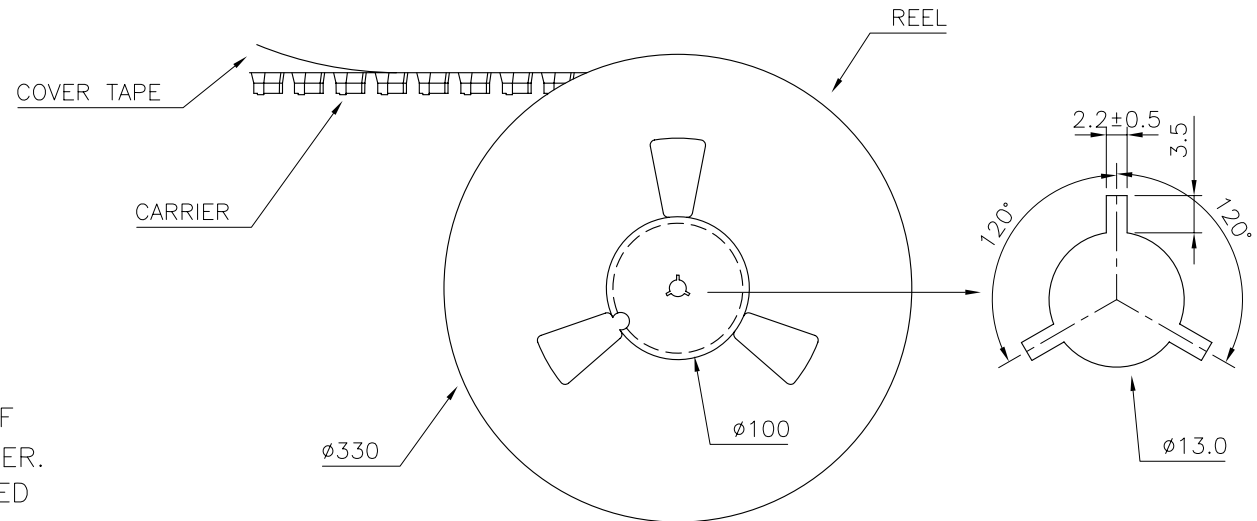
煜倫股份有限公司

www.morethanall.com



MATERIALS:

- REEL-2mm THICK PLASTIC WHEEL.
- CARRIER-PS (0.40mm THICK TAPE).
- COVER TAPE-PE (0.10mm THICK TAPE).



NOTES:

- THE DIRECTION OF JACKS PUT INTO CARRIER.
- 10 EMPTY CAVITIES FOR BOTH OF TOP AND BOTTOM OF THE CARRIER.
- 200 PCS PRODUCTS BE PACKAGED ONE REEL.
- CARTON SIZE: 345(L)X345(W)X315(H)  
6 REEL/CARTON  
TOTAL: 1200 PCS

RoHS Compliant

TOLERANCES ARE

**MORETHANALL**  
PCB CONNECTORS  
Cable ASSEMBLIES

DRAWING BY CY

X, ±

CHECKED BY GENIUS

.X ± 0.30

UNIT / mm

SCALE 1 : 1

.XX ± 0.20

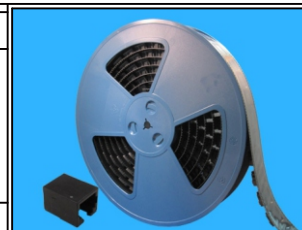
DATE

.XXX ± 0.05

ANG ±

SIZE A4

PJECTION



ORDER INFORMATION

MJW11-KX06NR-0606-LF

SERIES REEL 6P6C LEADFREE  
BLACK 06u GOLD NON POST  
INNER EAR

煜倫股份有限公司

www.morethanall.com

DESCRIPTION: TAPE & REEL PACKAGING SPEC.