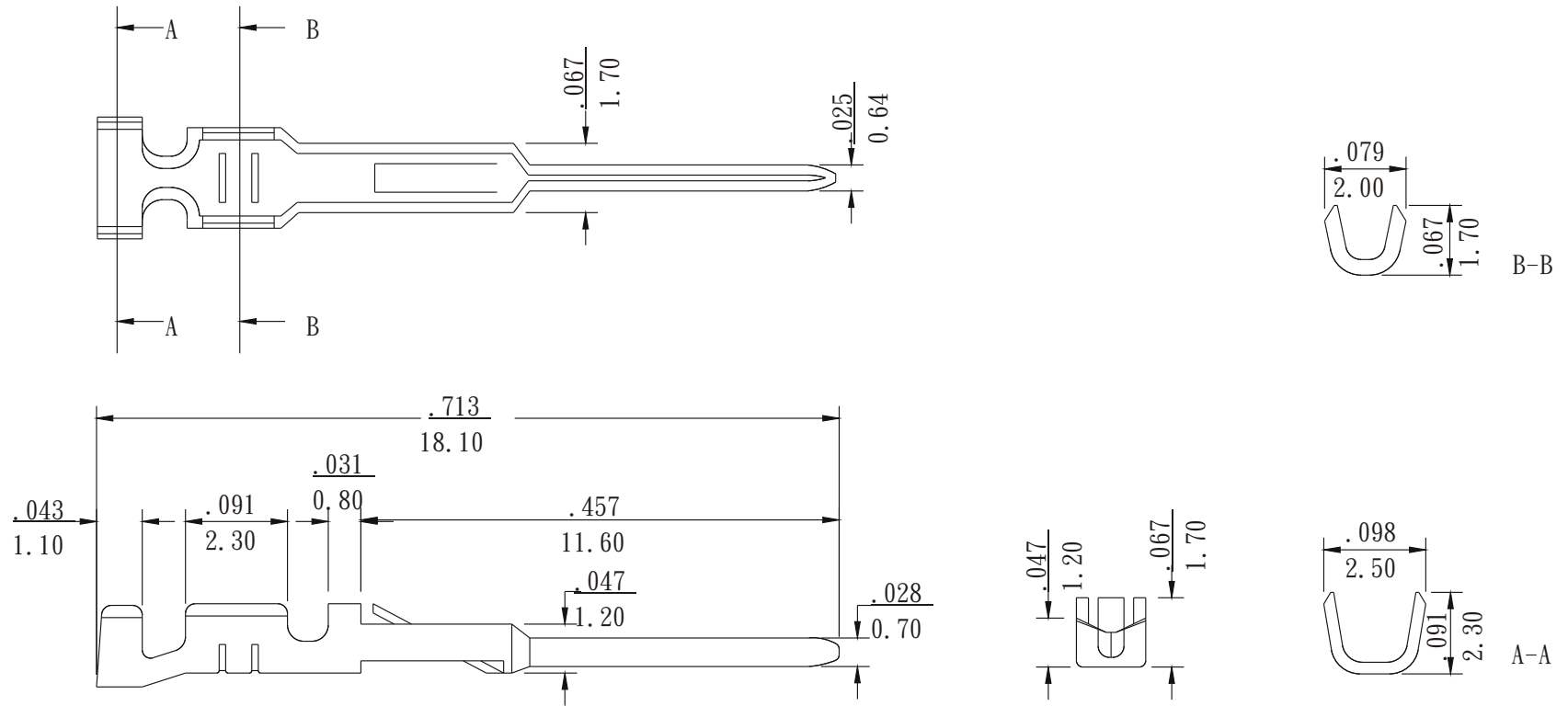


- * Material : Phosphor bronze or brass
- * Current rating : 3A, AC/DC
- * Voltage rating : 250V , AC/DC
- * Applicable wire AWG #26-#20

inch
mm



RoHS Compliant

TOLERANCES ARE

MORETHANALL
PCB CONNECTORS
Cable ASSEMBLIES

DRAWING BY CY

CHECKED BY GENIUS

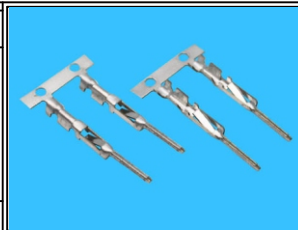
UNIT / mm SCALE 1 : 1

DATE

SIZE A4

X. ±
.X ±
.XX ±
.XXX ±
ANG ±

P PROJECTION



ORDER INFORMATION

EI-M-20-LF
SERIES | LEADFREE
20~26AWG
MALE TERMINAL

煜倫股份有限公司

www.morethanall.com

DESCRIPTION: